

具有灵活的I/O 电源和IEC ESD 保护功能的±18V 故障保护、 3V 至 5.5V RS-485 收发器

UM3481 SOP8/MSOP8/DFN8 3.0×3.0
UM3481V SOP8/MSOP8/DFN10 3.0×3.0
UM13082 SOP8/MSOP8/DFN8 3.0×3.0
UM13082V SOP8/MSOP8/DFN10 3.0×3.0

1 描述

UM3481 和 UM13082 均具备±18V 故障保护功能的半双工 RS-485 收发器，采用 3V 至 5.5V 单电源供电。UM3481V 和 UM13082V 同样是具备±18V 故障保护功能的半双工 RS-485 收发器，逻辑信号接口使用 1.65V 至 5.5V 电源，总线侧使用 3V 至 5.5V 电源。总线接口引脚在所有工作模式下都受到过压保护，确保在严苛工业环境中实现稳健的通信。

这些器件具有两种速度等级。UM3481 和 UM3481V 支持 1Mbps 传输速率，UM13082 和 UM13082V 支持 20 Mbps 传输速率。这些器件具有集成式 IEC ESD 保护，无需外部系统级保护组件。在更长的电缆敷设长度和/或存在大接地环路电压的情况下，更宽的±15V 输入共模范围可实现可靠的数据通信。增强型 250mV 接收器迟滞可提供高噪声抑制。此外，当总线开路或短路时，接收器失效防护功能可确保输出逻辑高电平。

UM3481 和 UM13082 提供 SOP8、MSOP8 及 DFN8 3.0×3.0 封装。UM3481V 和 UM13082V 提供 SOP8、MSOP8 和 DFN10 3.0×3.0 封装。这些器件专为空间受限型应用设计。

2 特性

- 符合或超过TIA/EIA-485A标准的要求
- 3V 至 5.5V 电源电压
- 用于逻辑信号接口的1.65V至5.5V电源（UM3481V，UM13082V）
- 总线 I/O 保护
 - ±18V 直流总线故障保护
 - ±18kV 人体放电模型
 - ±8kV IEC 61000-4-2 接触放电
- 闩锁（Latch-up）性能超过200mA，符合JESD 78规范
- 扩展级运行共模范围：±15V
- 适用于热插拔功能的无干扰上电/断电
- 欠压锁定
- 超 2.1V 差分输出电压，可在 5V 供电条件下满足 PROFIBUS 兼容
- 具有两种速度等级：
 - 1Mbps (UM3481, UM3481V)
 - 20Mbps (UM13082, UM13082V)
- 工作环境温度范围：-40°C 至 125°C
- 增强型接收器迟滞，可获得抗噪能力
- 开路、短路和空闲总线失效防护
- 热关断
- 1/8 单位负载（多达 256 个总线节点）

3 Applications

- Automotive data links
- Industrial-Control Local Area Networks
- Integrated Services Digital Networks
- Building automation
- Electricity meters
- Transceivers for EMI-Sensitive applications

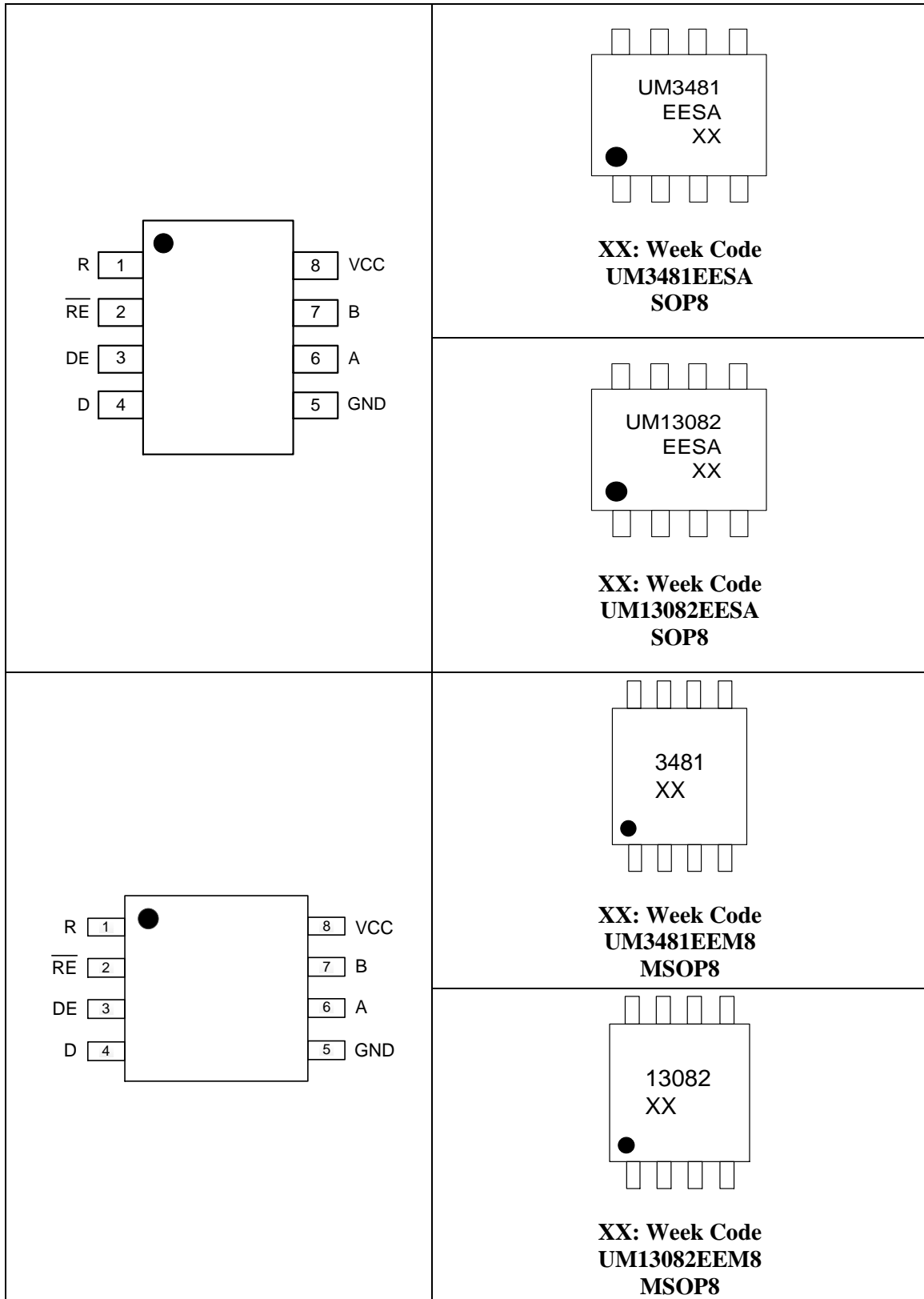
4 Selection Guide

Part Number	Data Rate (Mbps)	V _{CC} Range (V)	V _{IO} Range (V)
UM3481	1	3.0 to 5.5	-
UM3481V	1	3.0 to 5.5	1.65 to 5.5
UM13082	20	3.0 to 5.5	-
UM13082V	20	3.0 to 5.5	1.65 to 5.5

5 Ordering Information

Part Number	Mark Code	Package Type	Shipping Qty
UM3481EESA	UM3481EESA	SOP8	3000pcs/13Inch Tape & Reel
UM3481EEM8	3481	MSOP8	4000pcs/13Inch Tape & Reel
UM3481EEDA	3481	DFN8 3.0×3.0	3000pcs/13Inch Tape & Reel
UM3481VEESA	UM3481VEESA	SOP8	3000pcs/13Inch Tape & Reel
UM3481VEEM8	3481V	MSOP8	4000pcs/13Inch Tape & Reel
UM3481VEEDA	3481V	DFN10 3.0×3.0	3000pcs/13Inch Tape & Reel
UM13082EESA	UM13082EESA	SOP8	3000pcs/13Inch Tape & Reel
UM13082EEM8	13082	MSOP8	4000pcs/13Inch Tape & Reel
UM13082EEDA	13082	DFN8 3.0×3.0	3000pcs/13Inch Tape & Reel
UM13082VEESA	UM13082VEESA	SOP8	3000pcs/13Inch Tape & Reel
UM13082VEEM8	13082V	MSOP8	4000pcs/13Inch Tape & Reel
UM13082VEEDA	13082V	DFN10 3.0×3.0	3000pcs/13Inch Tape & Reel

6 Pin Configuration and Function



6 Pin Configuration and Function (continued)

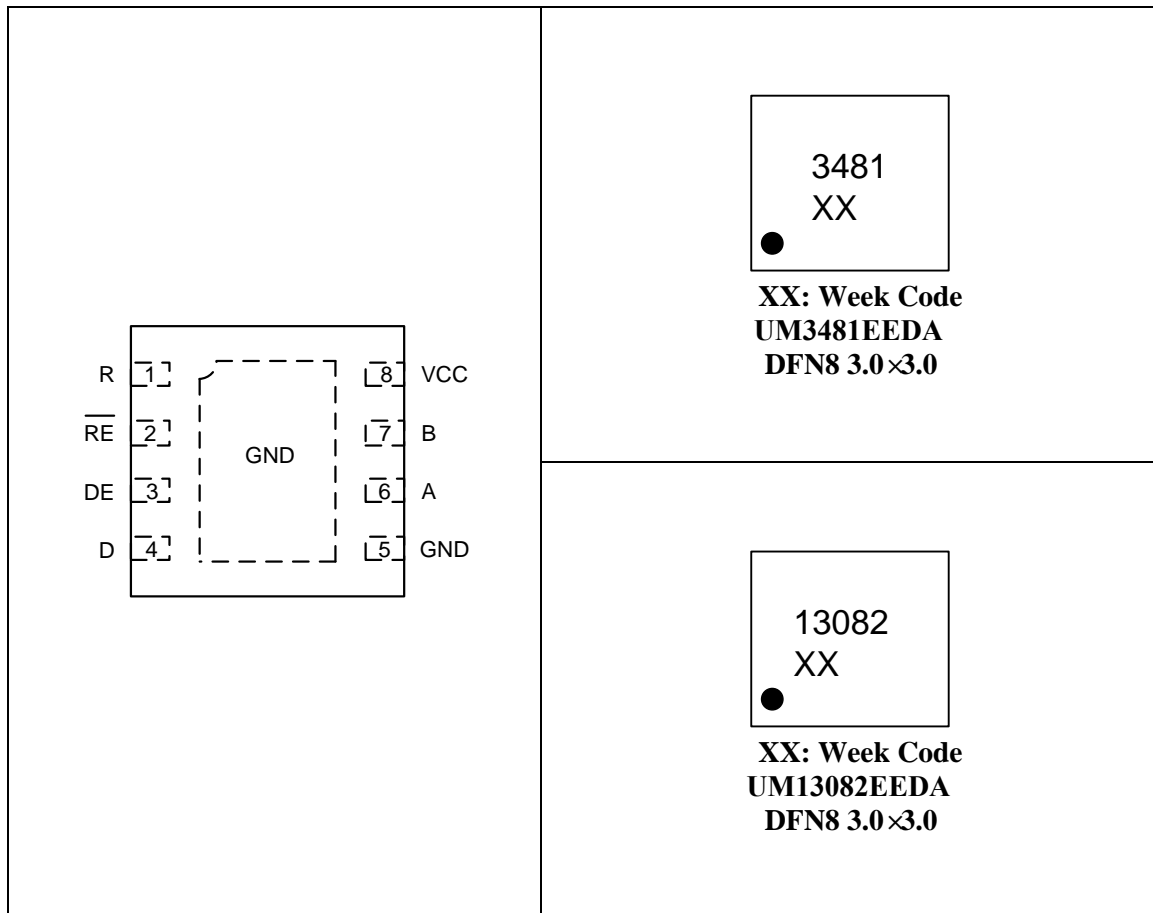
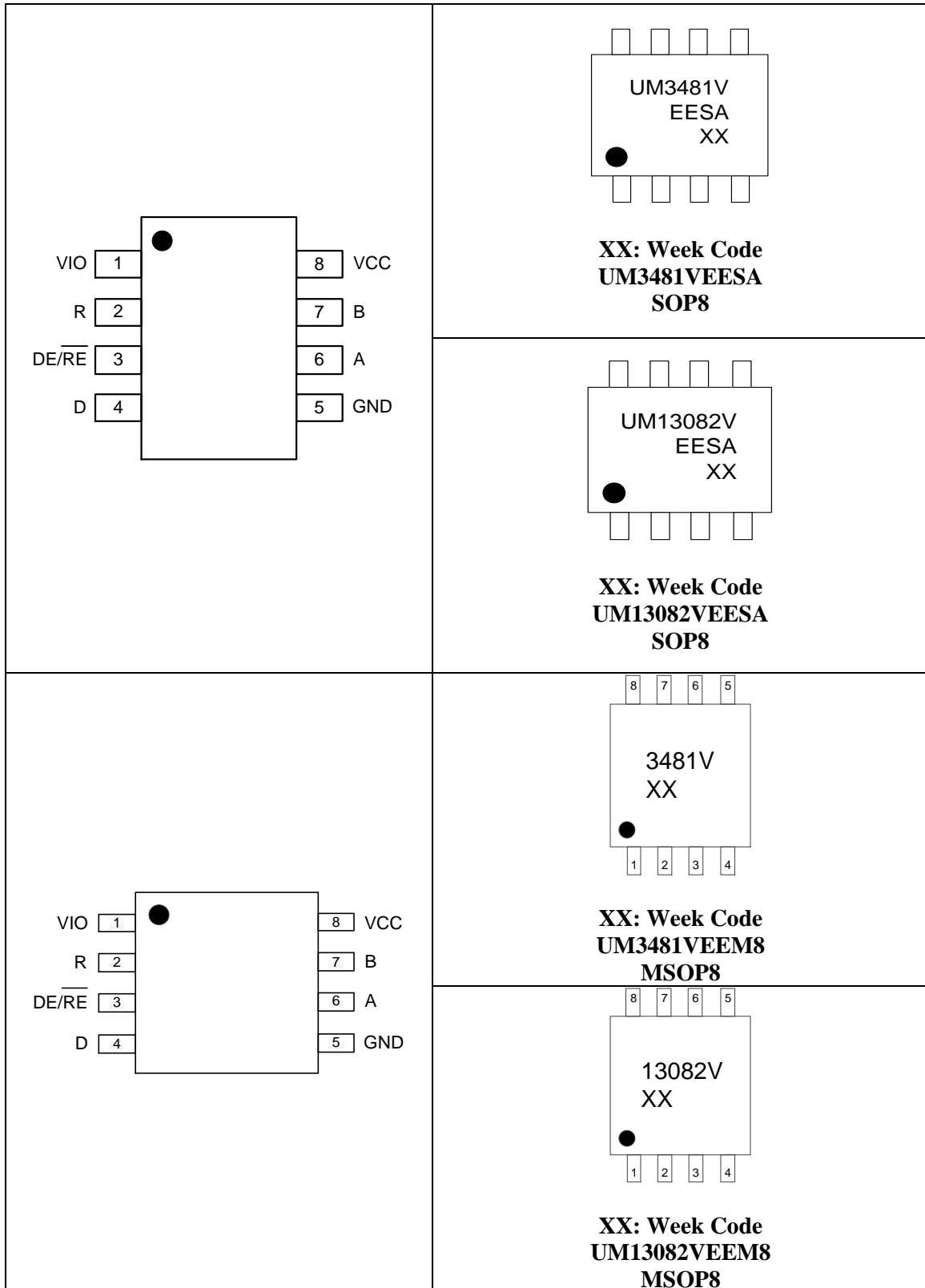


Table 6-1. Pin Functions of non-VIO versions

Pin No.	Pin Name	Function
1	R	Receive data output
2	$\overline{\text{RE}}$	Receiver enable, active low; integrated pull-up
3	DE	Driver enable, active high; integrated pull-down
4	D	Driver data input; integrated pull-up
5	GND	Local device ground
6	A	Driver output or receiver input (complementary to B)
7	B	Driver output or receiver input (complementary to A)
8	VCC	Supply voltage

6 Pin Configuration and Function (continued)



6 Pin Configuration and Function (continued)

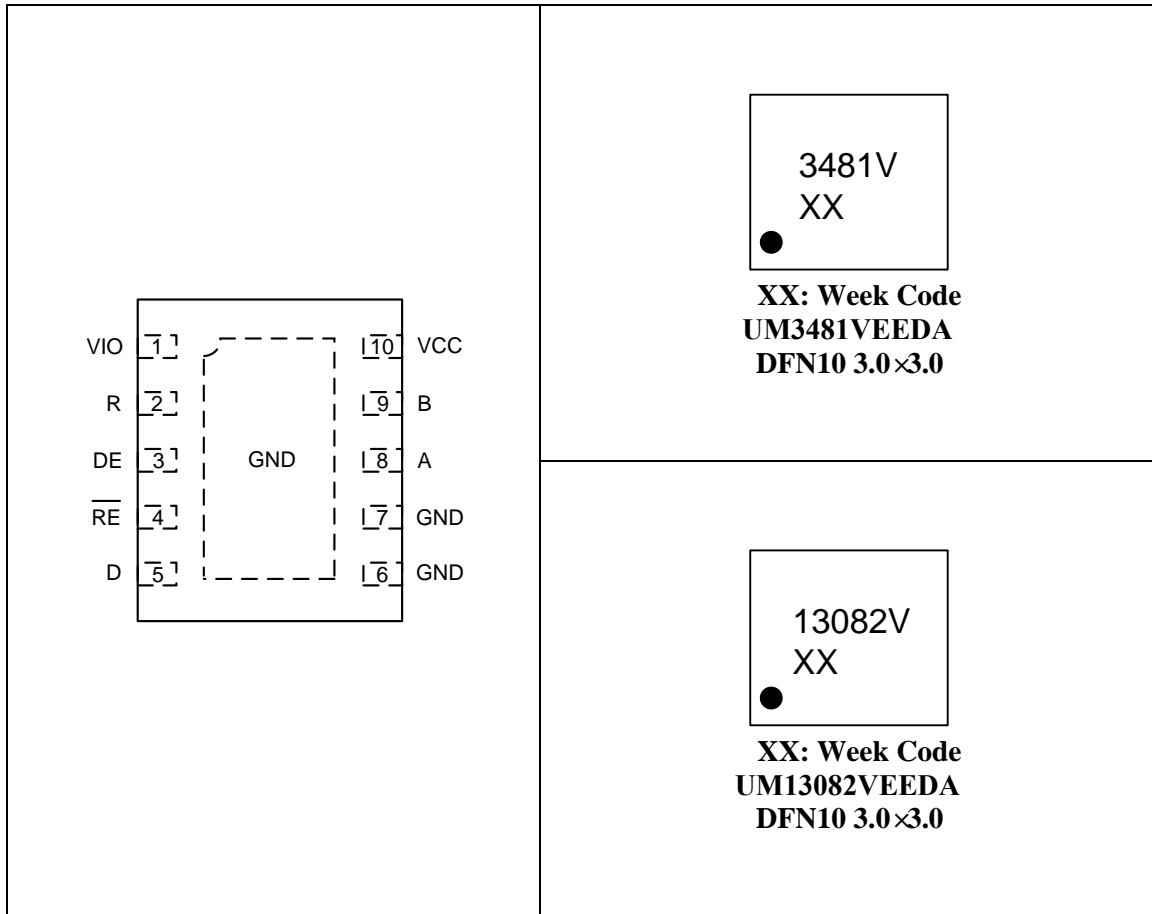


Table 6-2. Pin Functions of VIO versions

Pin Name	Function
VIO	1.65 V to 5.5 V supply for logic I/O signals (R, D, DE, \overline{RE} , DE/ \overline{RE}).
R	Receive data output.
DE/ \overline{RE}	Driver or Receiver select. High = Driver enable and Receiver disable, Low = Receiver enable and Driver disable. Connect this pin to ground with a 100k Ω resistor to avoid floating.
\overline{RE}	Receiver enable, active low.
DE	Driver enable, active high.
D	Driver data input.
GND	Local device ground.
A	Driver output or receiver input (complementary to B).
B	Driver output or receiver input (complementary to A).
VCC	3 V to 5.5 V bus supply.

7 Specifications

7.1 Absolute Maximum Ratings (Note 1)

Symbol	Parameter	Conditions	Min	Typ	Max	Unit
V _{CC}	Supply voltage		-0.5		6.5	V
V _{IO}	Logic supply voltage		-0.5		6.5	V
V _I	Voltage on A, B		-18		18	V
	Voltage on any logic pin (D, DE, \overline{RE})	Note 2	-0.3		6.5	V
I _O	RXD output current		-24		24	mA
V _{ESD}	Human body model (HBM), per ANSI/ESDA/JEDEC JS-001	Bus terminals and GND		±18		kV
		All pins except bus terminals and GND		±2		kV
	Contact discharge, per IEC 61000-4-2	Bus terminals and GND		±8		kV
T _{STG}	Storage temperature		-65		150	°C
T _L	Lead Temperature for Soldering 10 Seconds				260	°C

Note 1: Operation outside the Absolute Maximum Ratings may cause permanent device damage. Absolute maximum ratings do not imply functional operation of the device at these or any other conditions beyond those listed under Recommended Operating Conditions. If briefly operating outside the Recommended Operating Conditions but within the Absolute Maximum Ratings, the device may not sustain damage, but it may not be fully functional. Operating the device in this manner may affect device reliability, functionality, performance, and shorten the device lifetime.

Note 2: V_{IO} = V_{CC} in non-VIO product variants.

7.2 Recommended Operating Conditions

Symbol	Parameter	Conditions	Min	Typ	Max	Unit
V _{CC}	Supply Voltage		3		5.5	V
V _{IO}	I/O Supply Voltage		1.65		5.5	V
V _I	Input voltage at any bus terminal (separately or common mode)	Note 1	-15		15	V
V _{ID}	Differential input voltage		-15		15	V
I _O	Output current, driver		-60		60	mA
I _{OR}	Output current, receiver	Non-VIO product variants	-8		8	mA
		V _{IO} = 1.8 V or 2.5 V	-4		4	mA
		V _{IO} = 3.3 V or 5 V	-8		8	mA
R _L	Differential load resistance		54	60		Ω
1/ t _{UI}	Signaling rate	UM3481,UM3481V			1	Mbps
		UM13082,UM13082V			20	Mbps
T _A	Operating free-air temperature		-40		125	°C
T _J	Junction temperature		-40		150	°C

Note 1: The algebraic convention, in which the least positive (most negative) limit is designated as minimum is used in this data sheet.

7.3 Electrical Characteristics (Static) (Note 1)

V_{CC} = 3V to 5.5V, V_{IO} = 1.65V to 5.5V, T_A = -40 °C to 125 °C, unless otherwise noted. All typical values are at 25°C and supply voltage of V_{CC} = 5 V, V_{IO} = 3.3 V.

Symbol	Parameter	Conditions	Min	Typ	Max	Unit
Supply						
V _{UVD(VCC)RISING}	Rising under-voltage threshold on VCC			2.6	2.8	V
V _{UVD(VCC)FALLING}	Falling under-voltage threshold on VCC		1.95	2.4		V
V _{UVD(VCC)HYS}	Hysteresis on under-voltage of VCC			200		mV
V _{UVD(VIO)RISING}	Rising under-voltage threshold on VIO				1.6	V
V _{UVD(VIO)FALLING}	Falling under-voltage threshold on VIO		0.75			V
V _{UVD(VIO)HYS}	Hysteresis on under-voltage of VIO			200		mV

7.3 Electrical Characteristics (Static) (Note 1) (continued)

$V_{CC} = 3V$ to $5.5V$, $V_{IO} = 1.65V$ to $5.5V$, $T_A = -40\text{ }^\circ\text{C}$ to $125\text{ }^\circ\text{C}$, unless otherwise noted. All typical values are at $25\text{ }^\circ\text{C}$ and supply voltage of $V_{CC} = 5V$, $V_{IO} = 3.3V$.

Symbol	Parameter	Conditions	Min	Typ	Max	Unit
Supply						
I_{CC}	Supply current, $V_{CC} = 4.5V$ to $5.5V$	$\overline{RE} = 0V$, $DE = V_{IO}$, No load (Driver and receiver enabled)			4	mA
		$\overline{RE} = V_{IO}$, $DE = V_{IO}$, No load (Driver enabled, receiver disabled)			4	mA
		$\overline{RE} = 0V$, $DE = 0V$, No load (Driver disabled, receiver enabled)			2.4	mA
		$\overline{RE} = V_{IO}$, $DE = 0V$, D = open, No load (Driver and receiver disabled)			10	μA
I_{CC}	Supply current, $V_{CC} = 3V$ to $3.6V$	$\overline{RE} = 0V$, $DE = V_{IO}$, No load (Driver and receiver enabled)			3.5	mA
		$\overline{RE} = V_{IO}$, $DE = V_{IO}$, No load (Driver enabled, receiver disabled)			3.5	mA
		$\overline{RE} = 0V$, $DE = 0V$, No load (Driver disabled, receiver enabled)			2.4	mA
		$\overline{RE} = V_{IO}$, $DE = 0V$, D = open, No load (Driver and receiver disabled)			8	μA
I_{IO}	Logic supply current, $V_{IO} = 1.65V$ to $5.5V$	$\overline{RE} = 0V$, $DE = 0V$, No load (Driver disabled, receiver enabled)			20	μA
		$\overline{RE} = V_{IO}$, $DE = 0V$, No load (Driver and receiver disabled)		0.1	3	μA

7.3 Electrical Characteristics (Static) (Note 1) (continued)

$V_{CC} = 3V$ to $5.5V$, $V_{IO} = 1.65V$ to $5.5V$, $T_A = -40\text{ }^\circ\text{C}$ to $125\text{ }^\circ\text{C}$, unless otherwise noted. All typical values are at $25\text{ }^\circ\text{C}$ and supply voltage of $V_{CC} = 5V$, $V_{IO} = 3.3V$.

Symbol	Parameter	Conditions	Min	Typ	Max	Unit
Driver						
V _{OD}	Driver differential output voltage magnitude	R _L = 60 Ω, -15 V ≤ V _{TEST} ≤ 15 V, See Figure 8-1	1.5	3.35		V
		R _L = 60 Ω, -15 V ≤ V _{TEST} ≤ 15V, 4.5 V ≤ V _{CC} ≤ 5.5 V, See Figure 8-1	2.1	3.35		V
		R _L = 100 Ω, See Figure 8-2	2	4		V
		R _L = 54 Ω, See Figure 8-2	1.5	3.35		V
Δ V _{OD}	Change in magnitude of driver differential output voltage	R _L = 54 Ω or 100 Ω See Figure 8-2	-50		50	mV
V _{OC}	Common-mode output voltage	R _L = 54 Ω or 100 Ω See Figure 8-2	1	V _{CC} /2	3	V
V _{OC(SS)}	Steady-state common-mode output voltage	R _L = 54 Ω or 100 Ω See Figure 8-2	-50		50	mV
I _{OS}	Short-circuit output current	DE = V _{IO} , -18V ≤ (V _A or V _B) ≤ 18V	-250		250	mA
Receiver						
I _I	Bus input current	DE = 0V, V _{CC} = 0V or 5.5V, V _I = 12V			125	μA
		DE = 0V, V _{CC} = 0V or 5.5V, V _I = -7V	-100			
V _{TH+}	Positive-going input threshold voltage	Over common-mode range of ±15 V		125	200	mV
V _{TH-}	Negative-going input threshold voltage		-200	-125		
V _{HYS}	Input hysteresis				250	
C _{A,B}	Input differential capacitance	Measured between A and B, f = 1 MHz		50		pF

7.3 Electrical Characteristics (Static) (Note 1) (continued)

$V_{CC} = 3V$ to $5.5V$, $V_{IO} = 1.65V$ to $5.5V$, $T_A = -40^\circ C$ to $125^\circ C$, unless otherwise noted. All typical values are at $25^\circ C$ and supply voltage of $V_{CC} = 5V$, $V_{IO} = 3.3V$.

Symbol	Parameter	Conditions	Min	Typ	Max	Unit
V_{OH}	Output high voltage	$I_{OH} = -4\text{ mA}$ $V_{IO} = 1.65V$ to $2.75V$	$V_{IO} - 0.4$	$V_{IO} - 0.2$		V
V_{OH}	Output high voltage	$I_{OH} = -8\text{ mA}$ $V_{IO} = 3V$ to $5.5V$	$V_{IO} - 0.4$	$V_{IO} - 0.2$		V
V_{OL}	Output low voltage	$I_{OL} = 4\text{ mA}$ $V_{IO} = 1.65V$ to $2.75V$		0.2	0.4	V
V_{OL}	Output low voltage	$I_{OL} = 8\text{ mA}$ $V_{IO} = 3V$ to $5.5V$		0.2	0.4	V
I_{OZ}	Output high-impedance current	$V_O = 0V$ or V_{IO} , $\overline{RE} = V_{IO}$	-1		1	μA
Logic						
V_{IH}	Input High Voltage	DE, D, \overline{RE}	$0.7V_{IO}$			V
V_{IL}	Input low Voltage	DE, D, \overline{RE}			$0.3V_{IO}$	V
I_I	Input current on DE pin	$1.65V \leq V_{IO} \leq 5.5V$, $0V \leq V_{IN} \leq V_{IO}$			25	μA
	Input current on D, \overline{RE} pin	$1.65V \leq V_{IO} \leq 5.5V$, $0V \leq V_{IN} \leq V_{IO}$	-10			μA
Thermal Protection						
T_{SD}	Thermal shutdown threshold	Temperature rising		155		$^\circ C$
T_{HYS}	Thermal shutdown hysteresis			10		$^\circ C$

Note 1: $V_{IO} = V_{CC}$ in non-VIO product variants.

7.4 Electrical Characteristics (Dynamic)—1Mbps (Note 1)

$V_{CC} = 3V$ to $5.5V$, $V_{IO} = 1.65V$ to $5.5V$, $T_A = -40^\circ C$ to $125^\circ C$, unless otherwise noted. All typical values are at $25^\circ C$ and supply voltage of $V_{CC} = 5V$, $V_{IO} = 3.3V$.

Symbol	Parameter	Conditions	Min	Typ	Max	Unit	
Driver							
t_R, t_F	Driver differential output rise/fall time	$R_L = 54 \Omega$, $C_L = 50 \text{ pF}$, see Figure 8-3	$V_{CC} = 3$ to $3.6V$	110		500	ns
			$V_{CC} = 4.5$ to $5.5V$	150		650	ns
t_{PHL}, t_{PLH}	Driver propagation delay time		$V_{CC} = 3$ to $3.6V$	100		300	ns
			$V_{CC} = 4.5$ to $5.5V$	120		350	ns
$t_{SK(P)}$	Driver differential output pulse skew, $ t_{PHL} - t_{PLH} $		$V_{CC} = 3$ to $3.6V$	1		20	ns
			$V_{CC} = 4.5$ to $5.5V$	1		15	ns
t_{PHZ}, t_{PLZ}	Disable time	See Figure 8-4 and Figure 8-5	50		250	ns	
t_{PZH}, t_{PZL}	Enable time	$\overline{RE} = 0V$, See Figure 8-4 and Figure 8-5			8	μs	
t_{PSH}, t_{PSL}		$\overline{RE} = V_{IO}$, See Figure 8-4 and Figure 8-5			10	μs	
t_{PHS}, t_{PLS}	Time to shutdown	$\overline{RE} = V_{IO}$, See Figure 8-4 and Figure 8-5	50		500	ns	
Receiver							
t_R, t_F	Receiver output rise/fall time	$C_L = 15 \text{ pF}$, see Figure 8-6		8.5	20	ns	
t_{PHL}, t_{PLH}	Receiver propagation delay time			54	80	ns	
$t_{SK(P)}$	Receiver output pulse skew, $ t_{PHL} - t_{PLH} $			1	12.5	ns	

7.4 Electrical Characteristics (Dynamic)—1Mbps (continued) (Note 1)

$V_{CC} = 3V$ to $5.5V$, $V_{IO} = 1.65V$ to $5.5V$, $T_A = -40\text{ }^{\circ}\text{C}$ to $125\text{ }^{\circ}\text{C}$, unless otherwise noted. All typical values are at $25\text{ }^{\circ}\text{C}$ and supply voltage of $V_{CC} = 5V$, $V_{IO} = 3.3V$.

Symbol	Parameter	Conditions	Min	Typ	Max	Unit
Receiver						
t_{PHZ} , t_{PLZ}	Receiver disable time			32	50	ns
t_{PZL} , t_{PZH}	Receiver enable time	$DE = V_{IO}$, see Figure 8-7		35	120	ns
t_{PSH} , t_{PSL}		$DE = 0V$, see Figure 8-8		2.5	4.5	μs
t_{PHS} , t_{PLS}	Time to shutdown	$DE = 0V$, see Figure 8-8	50		500	ns

Note 1: $V_{IO} = V_{CC}$ in non-VIO product variants.

7.4 Electrical Characteristics (Dynamic)—20Mbps (Note 1)

$V_{CC} = 3V$ to $5.5V$, $V_{IO} = 1.65V$ to $5.5V$, $T_A = -40^\circ C$ to $125^\circ C$, unless otherwise noted. All typical values are at $25^\circ C$ and supply voltage of $V_{CC} = 5V$, $V_{IO} = 3.3V$.

Symbol	Parameter	Conditions	Min	Typ	Max	Unit	
Driver							
t_R, t_F	Driver differential output rise/fall time	$R_L = 54 \Omega$, $C_L = 50 \text{ pF}$, see Figure 8-3	$V_{CC} = 3$ to $3.6V$	5		15	ns
			$V_{CC} = 4.5$ to $5.5V$	4		20	ns
t_{PHL}, t_{PLH}	Driver propagation delay time		$V_{CC} = 3$ to $3.6V$	6		30	ns
			$V_{CC} = 4.5$ to $5.5V$	4		25	ns
$t_{SK(P)}$	Driver differential output pulse skew, $ t_{PHL} - t_{PLH} $		$V_{CC} = 3$ to $3.6V$	0.4		3	ns
			$V_{CC} = 4.5$ to $5.5V$	0.2		3	ns
t_{PHZ}, t_{PLZ}	Disable time	See Figure 8-4 and Figure 8-5	10		200	ns	
t_{PZH}, t_{PZL}	Enable time	$\overline{RE} = 0V$, See Figure 8-4 and Figure 8-5			8	μs	
t_{PSH}, t_{PSL}		$\overline{RE} = V_{IO}$, See Figure 8-4 and Figure 8-5			10	μs	
t_{PHS}, t_{PLS}	Time to shutdown	$\overline{RE} = V_{IO}$, See Figure 8-4 and Figure 8-5	50		500	ns	
Receiver							
t_R, t_F	Receiver output rise/fall time	$C_L = 15 \text{ pF}$, see Figure 8-6		4.5	8	ns	
t_{PHL}, t_{PLH}	Receiver propagation delay time		10	20	58	ns	
$t_{SK(P)}$	Receiver output pulse skew, $ t_{PHL} - t_{PLH} $			0.5	5	ns	

7.4 Electrical Characteristics (Dynamic)—20Mbps (Note 1) (continued)

$V_{CC} = 3V$ to $5.5V$, $V_{IO} = 1.65V$ to $5.5V$, $T_A = -40\text{ }^\circ\text{C}$ to $125\text{ }^\circ\text{C}$, unless otherwise noted. All typical values are at $25\text{ }^\circ\text{C}$ and supply voltage of $V_{CC} = 5V$, $V_{IO} = 3.3V$.

Symbol	Parameter	Conditions	Min	Typ	Max	Unit
Receiver						
t_{PHZ} , t_{PLZ}	Receiver disable time			15	35	ns
t_{PZL} , t_{PZH}	Receiver enable time	$DE = V_{IO}$, see Figure 8-7		15	82	ns
t_{PSH} , t_{PSL}		$DE = 0V$, see Figure 8-8		2.5	5	μs
t_{PHS} , t_{PLS}	Time to shutdown	$DE = 0V$, see Figure 8-8	50		500	ns

Note 1: $V_{IO} = V_{CC}$ in non-VIO product variants.

8 Parameter Measurement Information

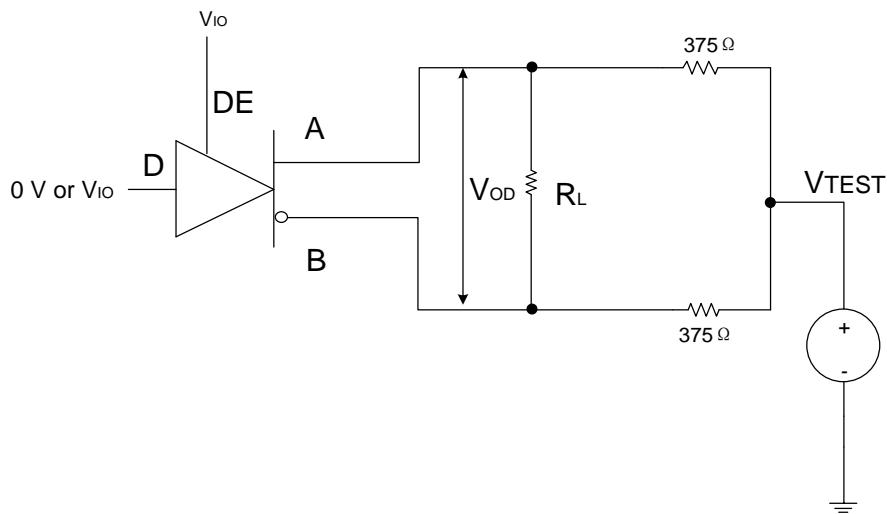


Figure 8-1. Measurement of Driver Differential Output Voltage With Common-Mode Load

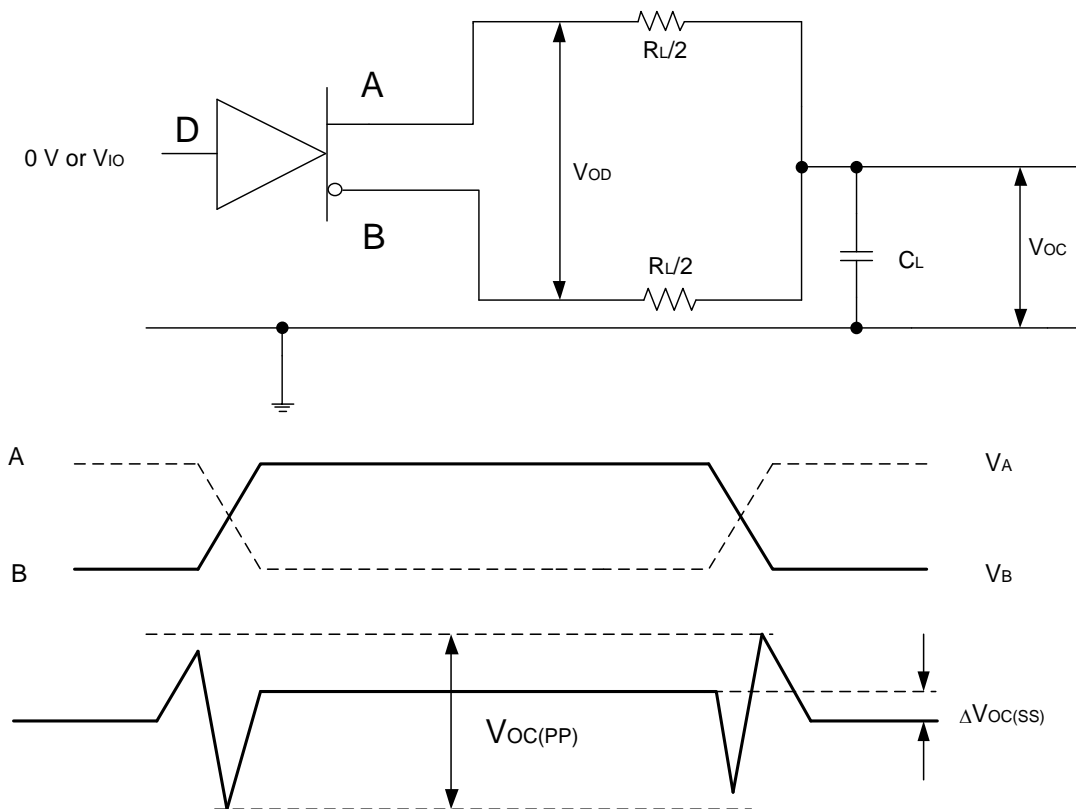


Figure 8-2. Measurement of Driver Differential and Common-Mode Output With RS-485 Load

8 Parameter Measurement Information (continued)

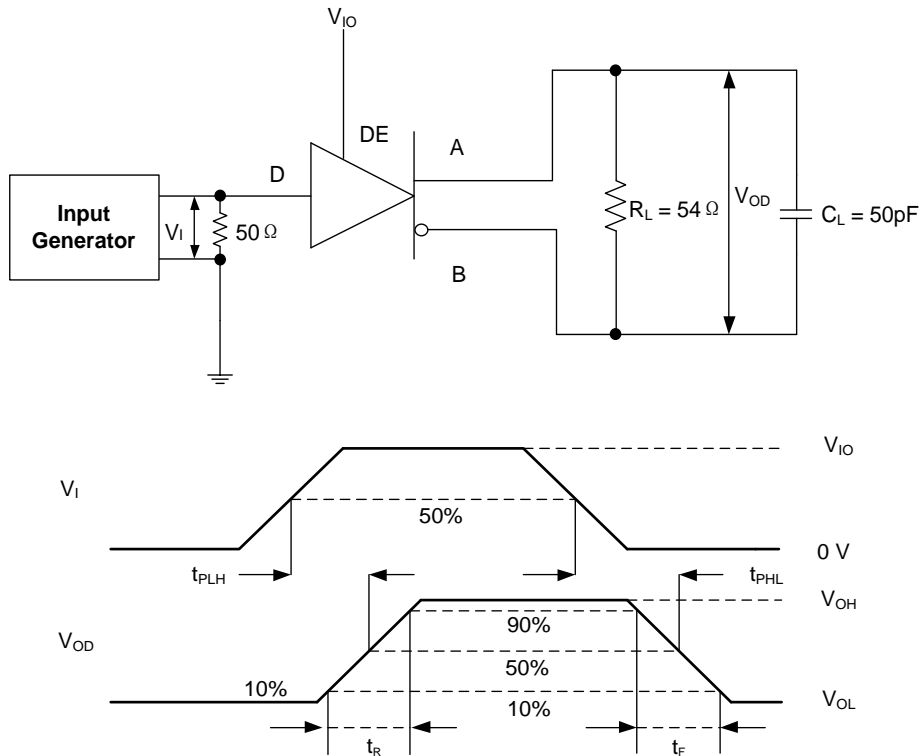


Figure 8-3. Measurement of Driver Differential Output Rise and Fall Times and Propagation Delays

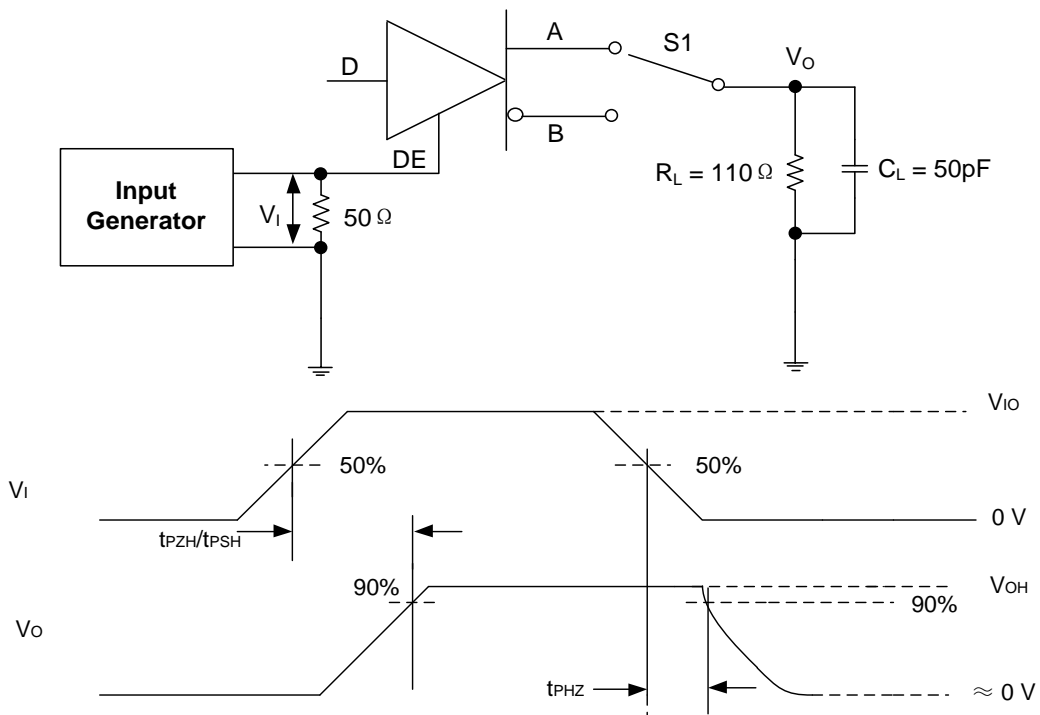


Figure 8-4. Measurement of Driver Enable and Disable Times With Active High Output and Pull-Down Load

8 Parameter Measurement Information (continued)

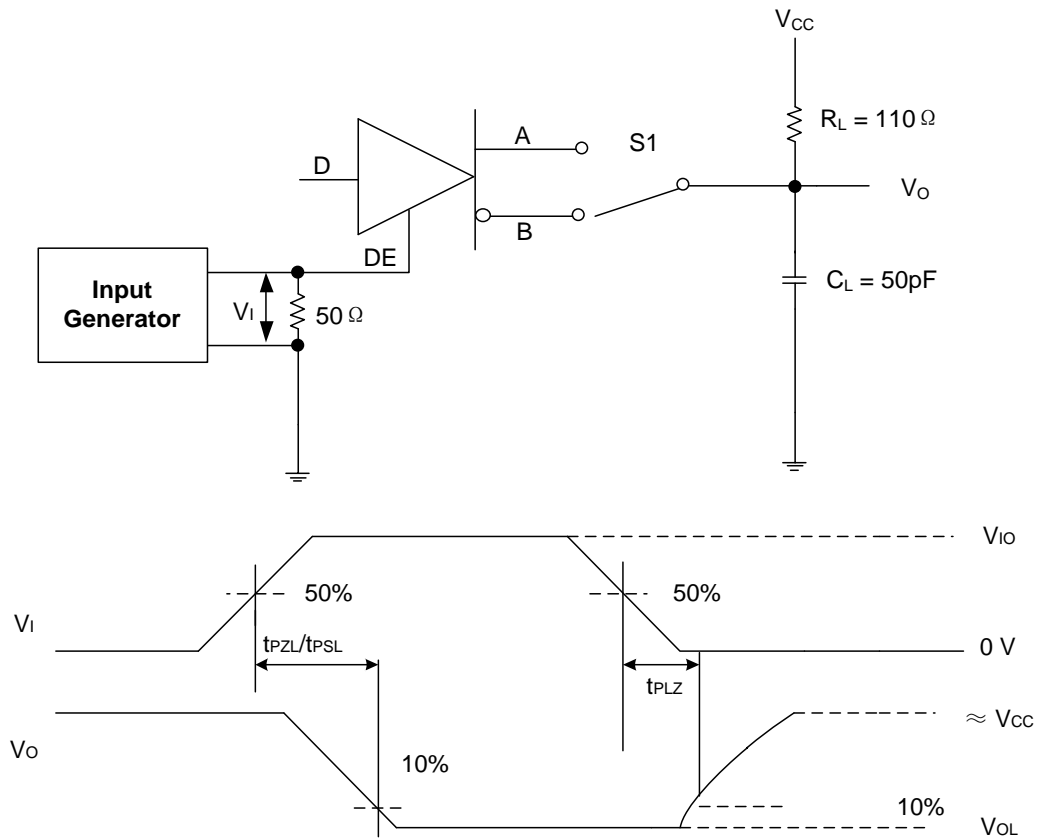


Figure 8-5. Measurement of Driver Enable and Disable Times With Active Low Output and Pull-up Load

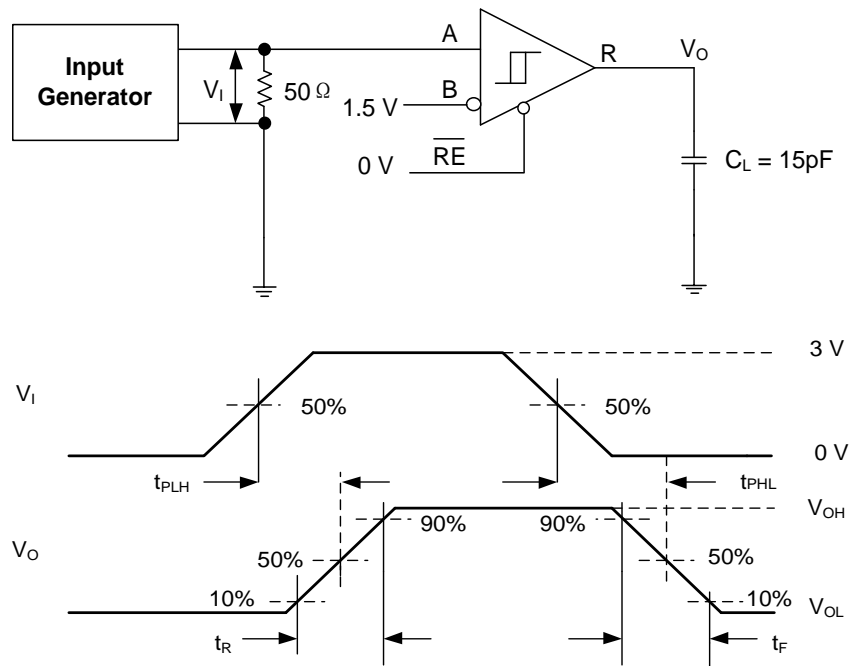


Figure 8-6. Measurement of Receiver Output Rise and Fall Times and Propagation Delays

8 Parameter Measurement Information (continued)

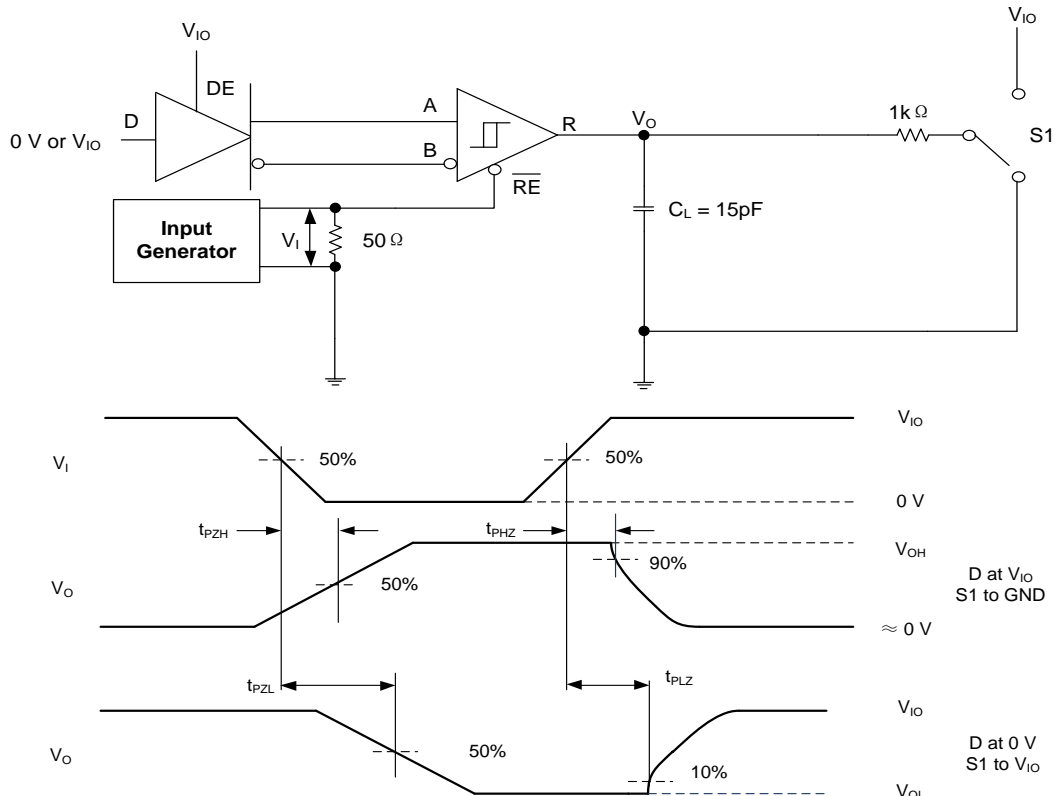


Figure 8-7. Measurement of Receiver Enable/Disable Times With Driver Enabled

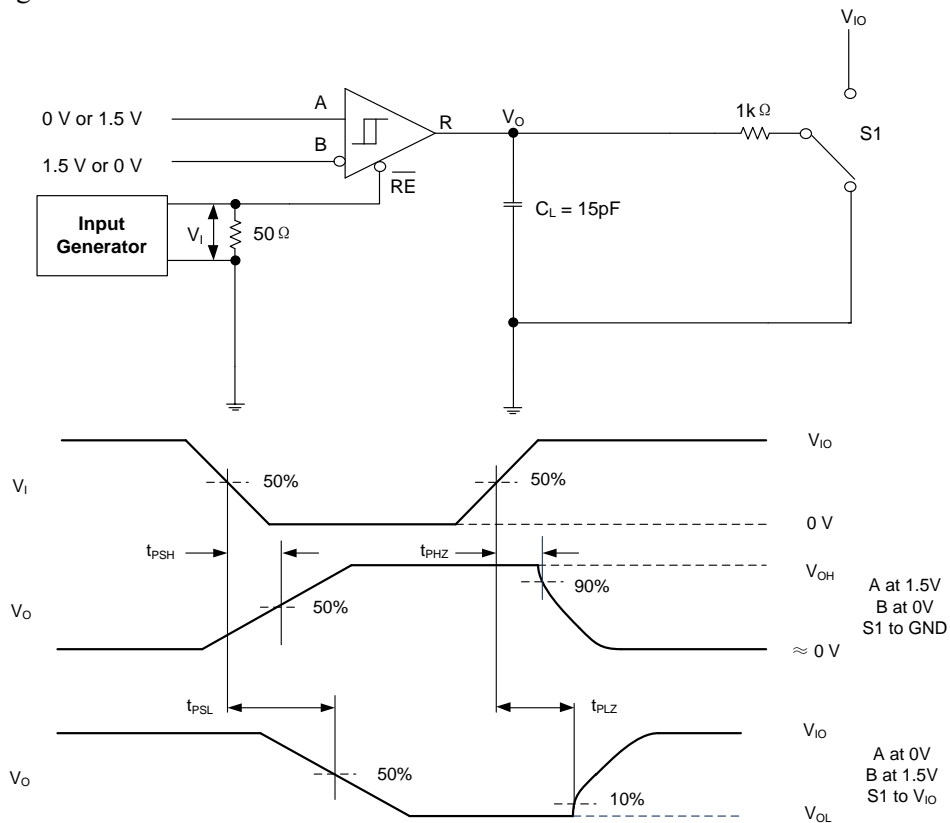


Figure 8-8. Measurement of Receiver Enable Times With Driver Disabled

9 Detailed Description

9.1 Overview

The UM3481 and UM3481V are fault-protected, half duplex RS-485 transceivers available in speed grade suitable for data transmission up to 1Mbps. The UM13082 and UM13082V are fault-protected, half duplex RS-485 transceivers available in speed grade suitable for data transmission up to 20 Mbps. This is beneficial as customers can qualify one device and use it in two different end-applications. Additionally, UM3481V and UM13082V have flexible I/O supply pin VIO which enables digital interface voltage range, from 1.65V to 5.5V, different from bus voltage supply 3V to 5.5V.

9.2 Functional Block Diagram

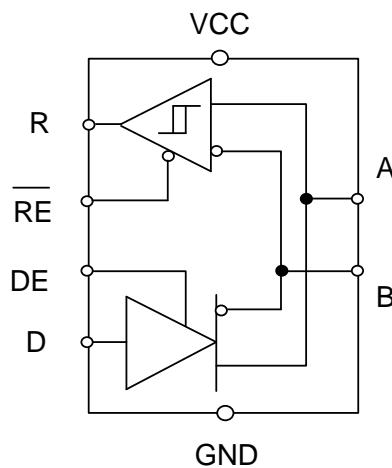
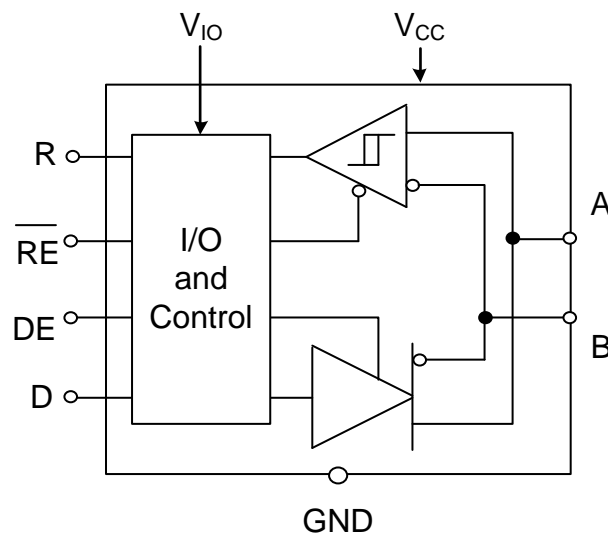


Figure 9-1. UM3481 and UM13082 Block Diagram



Note 1: DE and \overline{RE} pins are tied together in some packages with VIO pin

Figure 9-2. UM3481V and UM13082V Block Diagram

10 Feature Description

10.1 Receiver Fail-Safe Operation

The receivers are fail-safe to invalid bus states caused by the following:

- Open bus conditions, such as a disconnected connector
- Shorted bus conditions, such as cable damage shorting the twisted-pair together
- Idle bus conditions that occur when no driver on the bus is actively driving

10.2 Low-Power Shutdown Mode

Driving DE low and \overline{RE} high for longer than 500 ns puts the devices into the shutdown mode. If either DE goes high or \overline{RE} goes low, the counters reset. All devices do not enter the shutdown mode if the enable pins are in disable state for less than 50 ns. This feature prevents the devices from accidentally going into shutdown mode due to skew between DE and \overline{RE} .

10.3 Device Functional Modes

When the driver enable pin, DE, is logic high, the differential outputs A and B follow the logic states at data input D. A logic high at D causes A to turn high and B to turn low. In this case, the differential output voltage defined as $V_{OD} = V_A - V_B$ is positive. When D is low, the output states reverse: B turns high, A becomes low, and V_{OD} is negative.

When DE is low, both outputs turn high-impedance. In this condition, the logic state at D is irrelevant. The DE pin has an internal pull-down resistor to ground, thus when left open the driver is disabled (high-impedance) by default. The D pin has an internal pull-up resistor to V_{CC} , thus, when left open while the driver is enabled, output A turns high and B turns low.

Table 10-1. Driver Function Table

Enable	Input	Output		Function
		A	B	
H	H	H	L	Actively drive bus high
H	L	L	H	Actively drive bus low
H	Open	H	L	Actively drive bus high by default
L	X	Z	Z	Driver disabled
Open	X	Z	Z	Driver disabled by default

When the receiver enable pin, \overline{RE} , is logic low, the receiver is enabled. When the differential input voltage defined as $V_{ID} = V_A - V_B$ is higher than the positive input threshold, V_{TH+} , the receiver output, R, turns high. When V_{ID} is lower than the negative input threshold, V_{TH-} , the receiver output, R, turns low. If V_{ID} is between V_{TH+} and V_{TH-} , the output is indeterminate.

When \overline{RE} is logic high or left open, the receiver output is high-impedance and the magnitude and polarity of V_{ID} are irrelevant. Internal biasing of the receiver inputs causes the output to go failsafe-high when the transceiver is disconnected from the bus (open-circuit), or the bus lines are shorted to one another (short-circuit), or the bus is not actively driven (idle bus).

10.3 Device Functional Modes (continued)

Table 10-2. Receiver Function Table

Enable	Differential Input	Output	Function
\overline{RE}	$V_{ID} = V_A - V_B$	R	
L	$V_{TH+} < V_{ID}$	H	Receive valid bus high
L	$V_{TH-} < V_{ID} < V_{TH+}$	N/A	Indeterminate bus state
L	$V_{ID} < V_{TH-}$	L	Receive valid bus low
L	Open-circuit bus	H	Fail-safe high output
L	Short-circuit bus	H	Fail-safe high output
L	Idle (terminated) bus	H	Fail-safe high output
H	X	Z	Receiver disabled
Open	X	Z	Receiver disabled by default

Table 10-3 shows the device behavior in undervoltage scenarios:

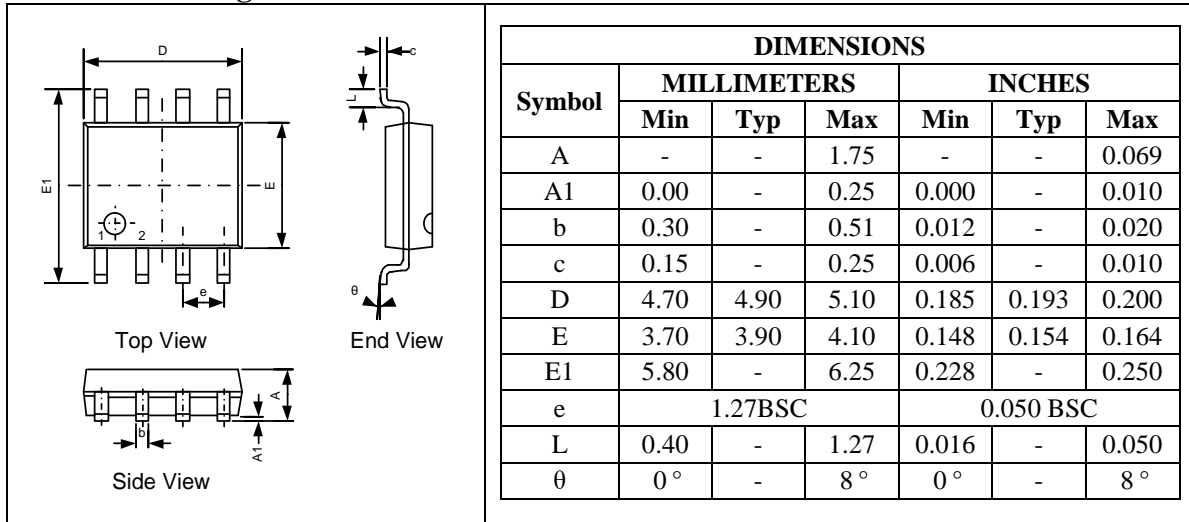
Table 10-3. Receiver Function Table

V_{CC}	V_{IO}	Driver Output	Receiver Output
$> V_{UVD(VCC)RISING}$	$> V_{UVD(VIO)RISING}$	Determined by DE and D inputs	Determined by \overline{RE} and A-B
$< V_{UVD(VCC)FALLING}$	$> V_{UVD(VIO)RISING}$	High impedance	High impedance
$> V_{UVD(VCC)RISING}$	$< V_{UVD(VIO)RISING}$	High impedance	High impedance
$< V_{UVD(VCC)FALLING}$	$< V_{UVD(VIO)FALLING}$	High impedance	High impedance

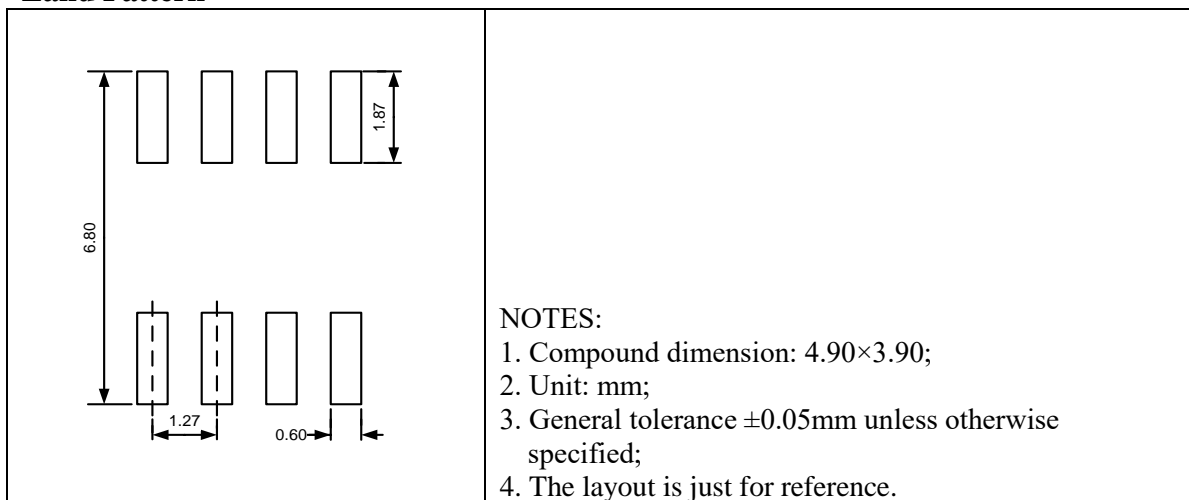
Package Information

SOP8

Outline Drawing

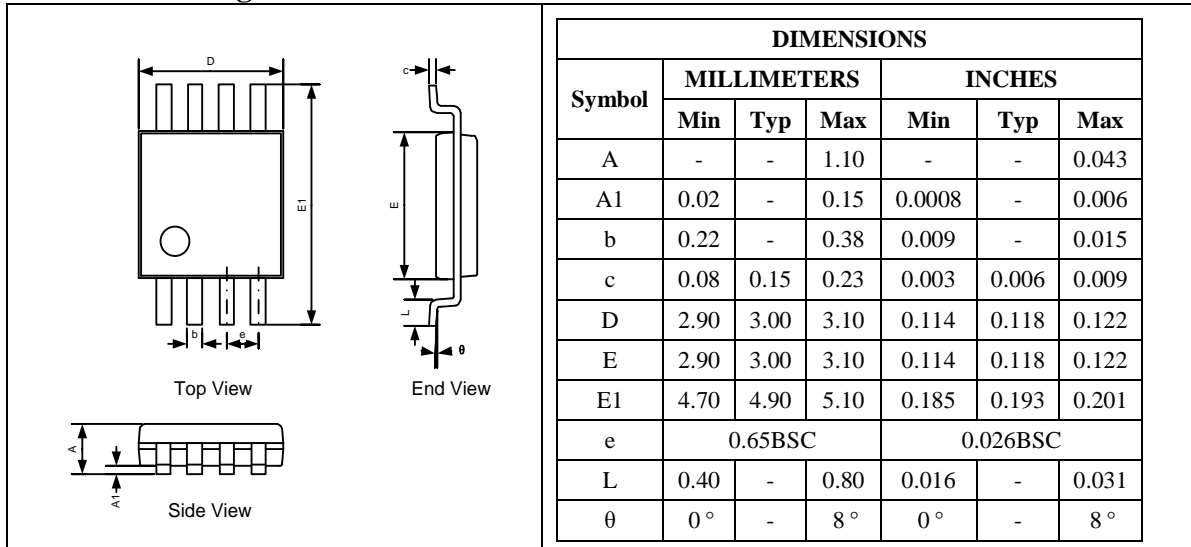


Land Pattern

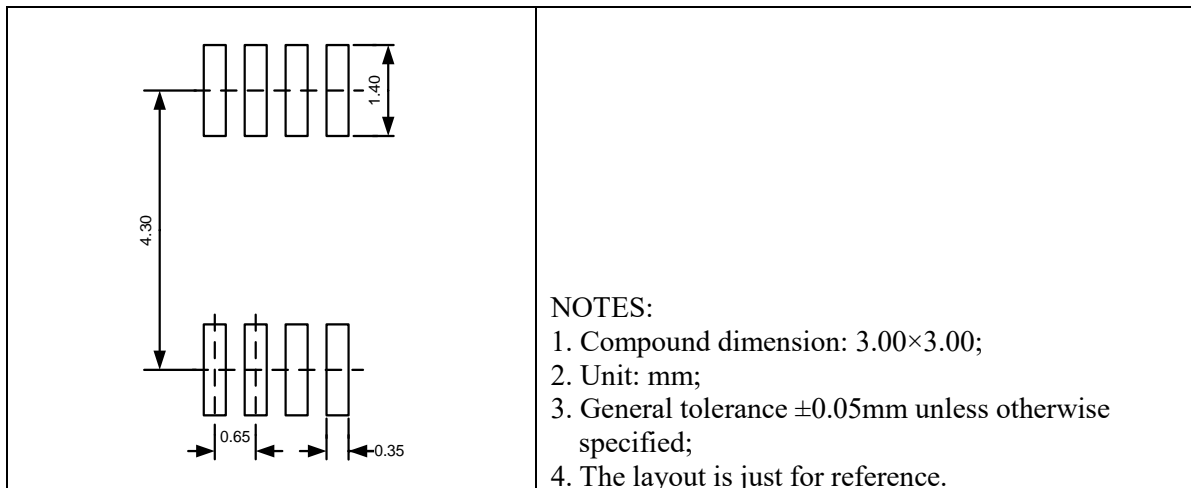


MSOP8

Outline Drawing

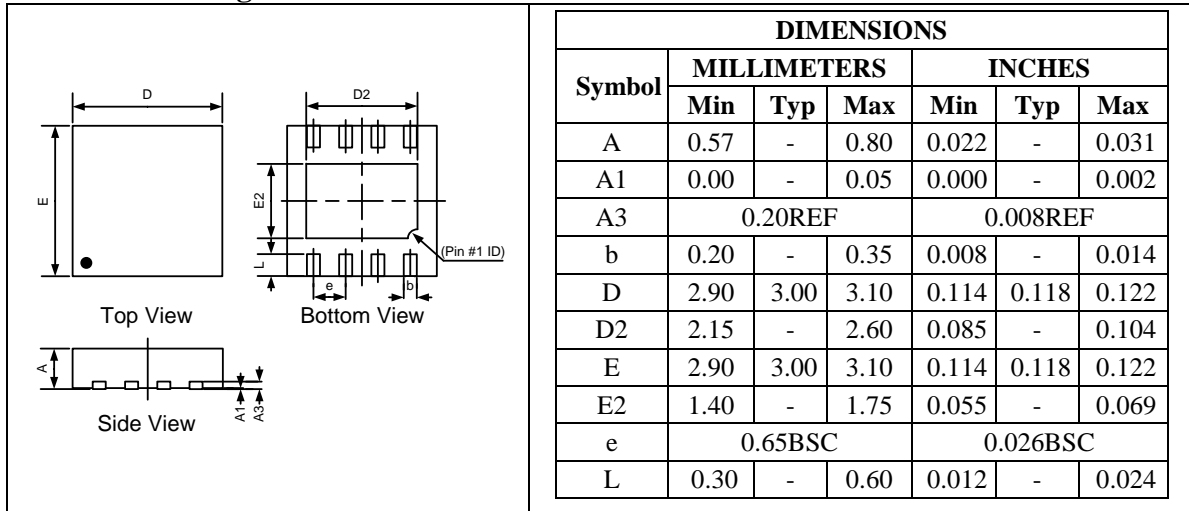


Land Pattern

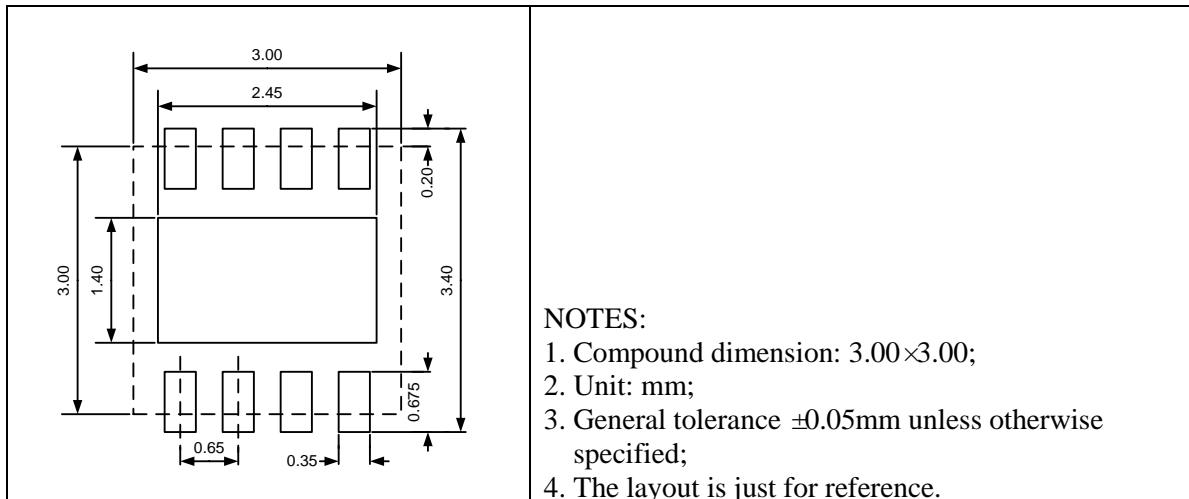


DFN8 3.0×3.0

Outline Drawing

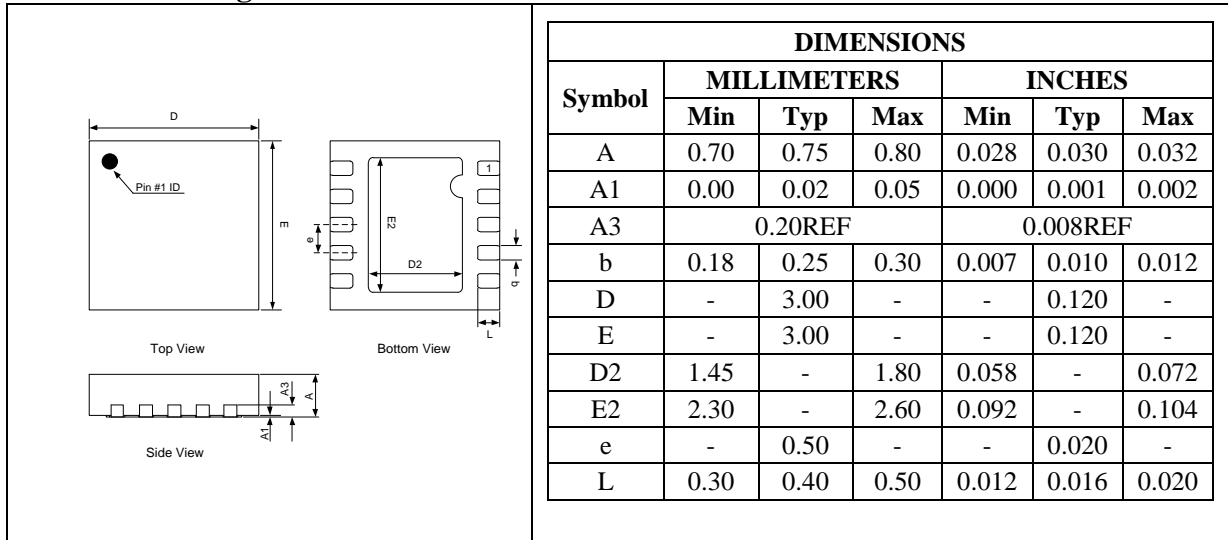


Land Pattern

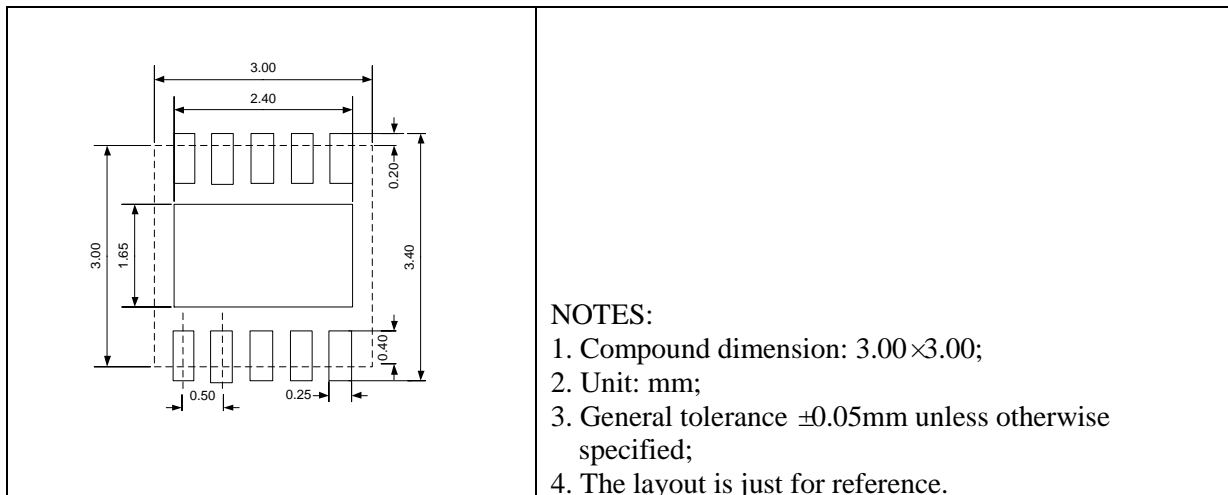


DFN10 3.0 × 3.0

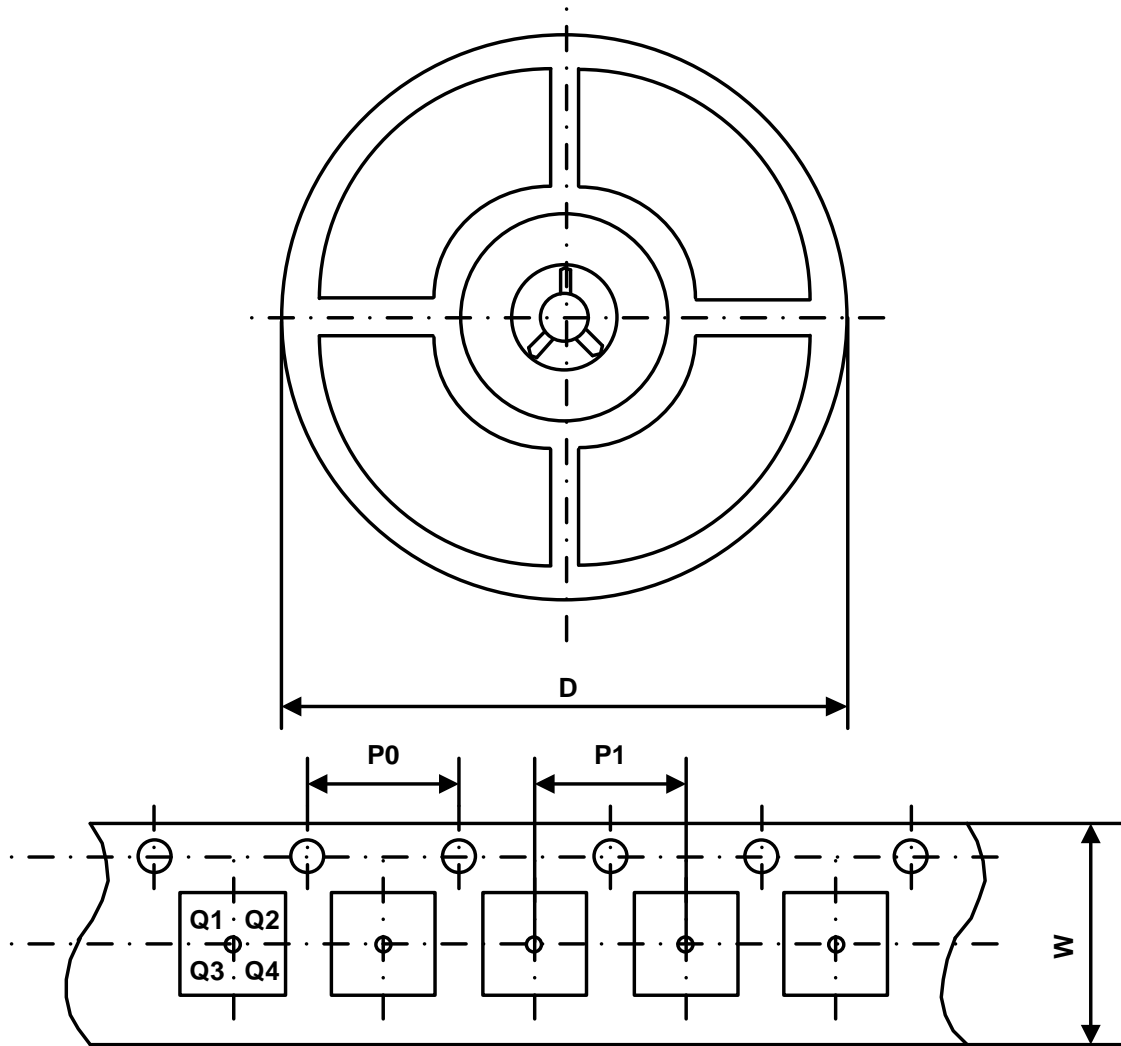
Outline Drawing



Land Pattern



Packing Information



Part Number	Package Type	Carrier Width (W)	Pitch (P0)	Pitch (P1)	Reel Size (D)	PIN 1 Quadrant
UM3481EESA	SOP8	12 mm	4 mm	8 mm	330 mm	Q1
UM3481EEM8	MSOP8	12 mm	4 mm	8 mm	330 mm	Q1
UM3481EEDA	DFN8 3.0×3.0	12 mm	4 mm	8 mm	330 mm	Q1
UM3481VEESA	SOP8	12 mm	4 mm	8 mm	330 mm	Q1
UM3481VEEM8	MSOP8	12 mm	4 mm	8 mm	330 mm	Q1
UM3481VEEDA	DFN10 3.0×3.0	12 mm	4 mm	8 mm	330 mm	Q1
UM13082EESA	SOP8	12 mm	4 mm	8 mm	330 mm	Q1
UM13082EEM8	MSOP8	12 mm	4 mm	8 mm	330 mm	Q1
UM13082EEDA	DFN8 3.0×3.0	12 mm	4 mm	8 mm	330 mm	Q1
UM13082VEESA	SOP8	12 mm	4 mm	8 mm	330 mm	Q1
UM13082VEEM8	MSOP8	12 mm	4 mm	8 mm	330 mm	Q1
UM13082VEEDA	DFN10 3.0×3.0	12 mm	4 mm	8 mm	330 mm	Q1

GREEN COMPLIANCE

Union Semiconductor is committed to environmental excellence in all aspects of its operations including meeting or exceeding regulatory requirements with respect to the use of hazardous substances. Numerous successful programs have been implemented to reduce the use of hazardous substances and/or emissions.

All Union components are compliant with the RoHS directive, which helps to support customers in their compliance with environmental directives. For more green compliance information, please visit:

<https://www.union-ic.com/Quality.html>

IMPORTANT NOTICE

The information in this document has been carefully reviewed and is believed to be accurate. Nonetheless, this document is subject to change without notice. Union assumes no responsibility for any inaccuracies that may be contained in this document, and makes no commitment to update or to keep current the contained information, or to notify a person or organization of any update. Union reserves the right to make changes, at any time, in order to improve reliability, function or design and to attempt to supply the best product possible.