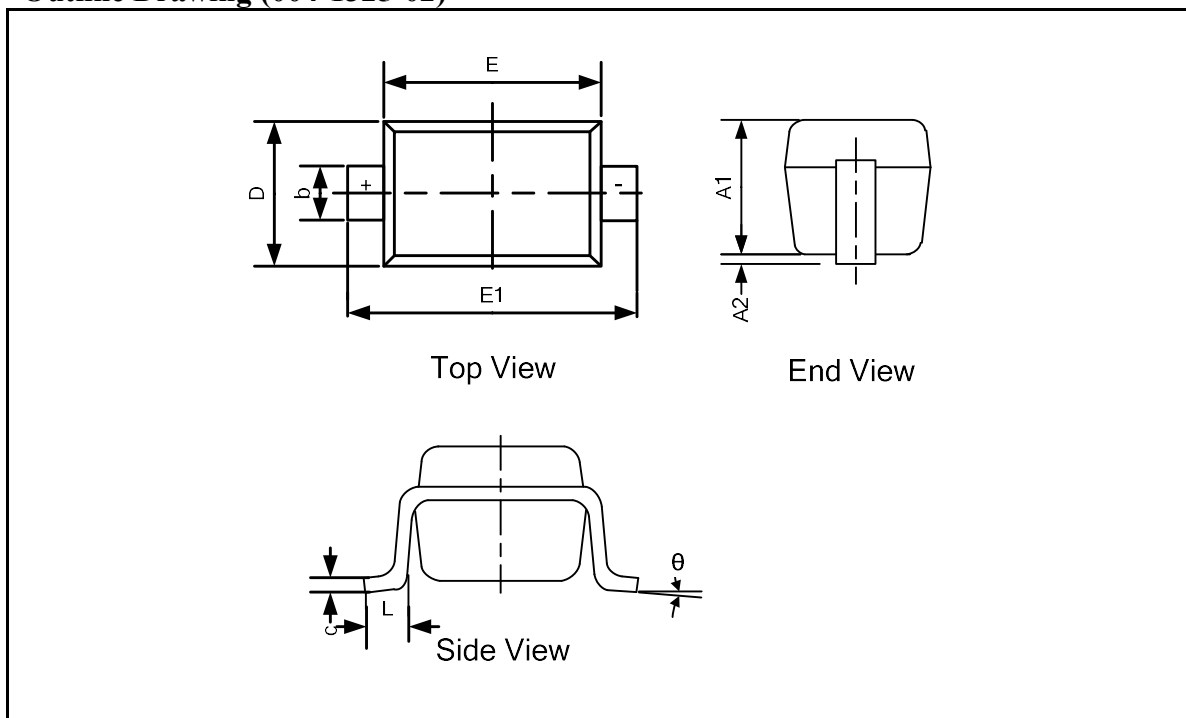


SOD323

Outline Drawing (004-1325-02)



| DIMENSIONS | | | | | | |
|------------|-------------|------|------|--------|-------|-------|
| Symbol | MILLIMETERS | | | INCHES | | |
| | Min | Typ | Max | Min | Typ | Max |
| A1 | 1.00 | 1.05 | 1.10 | 0.04 | 0.042 | 0.044 |
| A2 | - | 0.05 | 0.10 | - | 0.002 | 0.004 |
| b | 0.25 | 0.30 | 0.35 | 0.01 | 0.012 | 0.014 |
| c | 0.10 | 0.11 | 0.15 | 0.004 | 0.044 | 0.006 |
| D | 1.20 | 1.30 | 1.40 | 0.048 | 0.052 | 0.056 |
| E | 1.60 | 1.70 | 1.80 | 0.064 | 0.068 | 0.072 |
| E1 | 2.30 | 2.50 | 2.70 | 0.092 | 0.10 | 0.108 |
| L | 0.20 | 0.30 | 0.40 | 0.008 | 0.012 | 0.016 |
| θ | 8°REF | | | 8°REF | | |