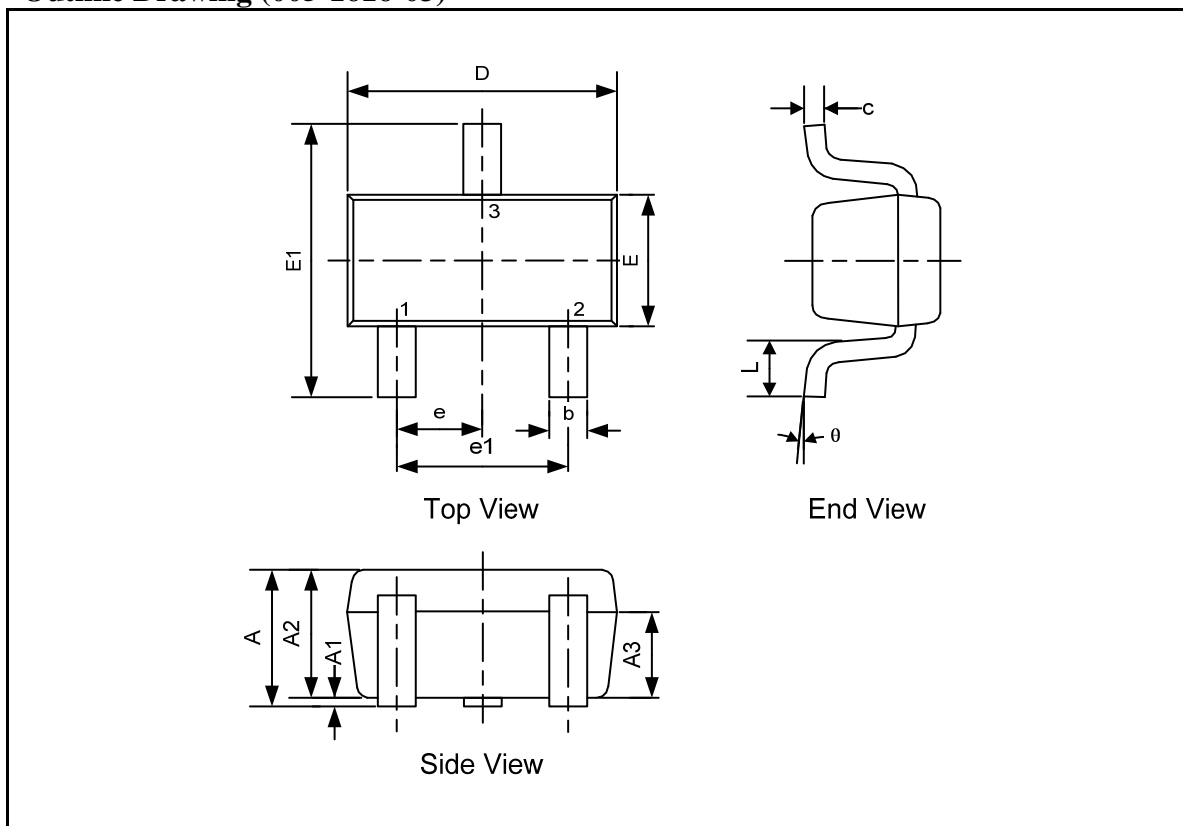


SOT523

Outline Drawing (005-1616-03)



| DIMENSIONS | | | | | | |
|------------|-------------|------|------|----------|-------|-------|
| Symbol | MILLIMETERS | | | INCHES | | |
| | Min | Typ | Max | Min | Typ | Max |
| A | 0.60 | 0.80 | 0.90 | 0.024 | 0.031 | 0.035 |
| A1 | 0.00 | 0.05 | 0.10 | 0.000 | 0.002 | 0.004 |
| A2 | 0.60 | 0.75 | 0.80 | 0.024 | 0.030 | 0.031 |
| A3 | 0.45 | 0.50 | 0.65 | 0.018 | 0.020 | 0.026 |
| b | 0.15 | 0.22 | 0.30 | 0.006 | 0.009 | 0.012 |
| c | 0.10 | 0.12 | 0.20 | 0.004 | 0.005 | 0.008 |
| D | 1.50 | 1.60 | 1.70 | 0.059 | 0.063 | 0.067 |
| E | 0.75 | 0.80 | 0.85 | 0.030 | 0.031 | 0.033 |
| E1 | 1.45 | 1.60 | 1.75 | 0.057 | 0.063 | 0.069 |
| e | 0.50TYP | | | 0.020TYP | | |
| e1 | 0.90 | 1.00 | 1.10 | 0.035 | 0.039 | 0.043 |
| L | 0.20 | 0.33 | 0.40 | 0.008 | 0.013 | 0.016 |
| θ | 0° | - | 8° | 0° | - | 8° |