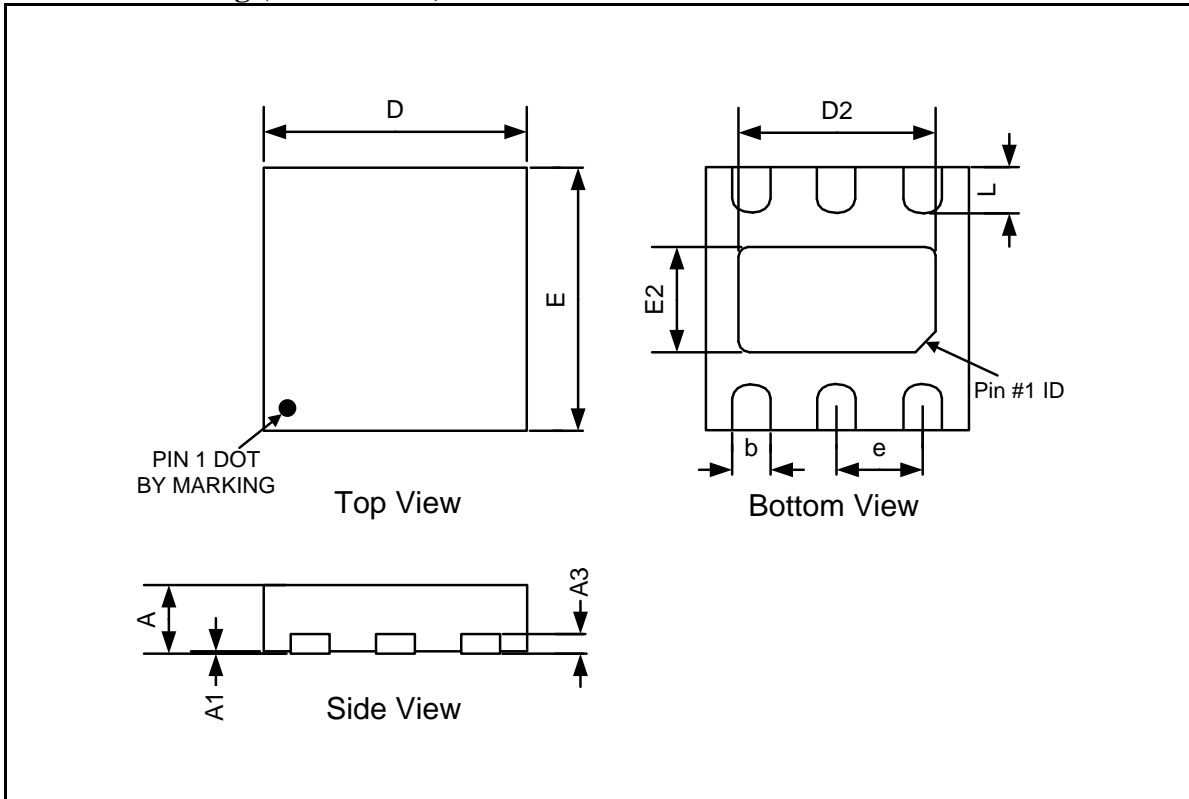


DFN6 2.0×2.0

Outline Drawing (002-2020-06)



| DIMENSIONS | | | | | | |
|------------|-------------|------|-------|----------|-------|-------|
| Symbol | MILLIMETERS | | | INCHES | | |
| | Min | Typ | Max | Min | Typ | Max |
| A | 0.55 | - | 0.80 | 0.022 | - | 0.031 |
| A1 | 0.00 | - | 0.05 | 0.000 | - | 0.002 |
| A3 | 0.20REF | | | 0.008REF | | |
| b | 0.25 | 0.30 | 0.35 | 0.010 | 0.012 | 0.014 |
| D | 1.924 | 2.00 | 2.076 | 0.076 | 0.079 | 0.082 |
| D2 | 1.35 | - | 1.75 | 0.053 | - | 0.069 |
| E | 1.924 | 2.00 | 2.076 | 0.076 | 0.079 | 0.082 |
| E2 | 0.65 | - | 1.06 | 0.026 | - | 0.042 |
| e | 0.65BSC | | | 0.026BSC | | |
| L | 0.224 | - | 0.45 | 0.009 | - | 0.018 |