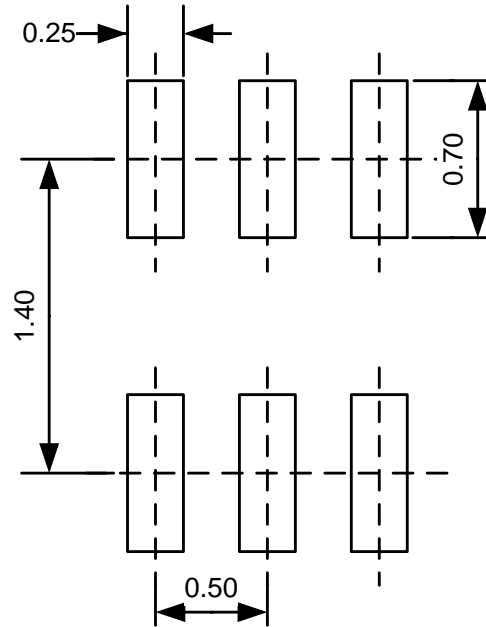


SOT563

Land Pattern (105-1616-06)



NOTES:

1. Compound dimension: 1.60×1.20.
2. Unit: mm.
3. General tolerance $\pm 0.05\text{mm}$ unless otherwise specified.
4. The layout is just for reference.