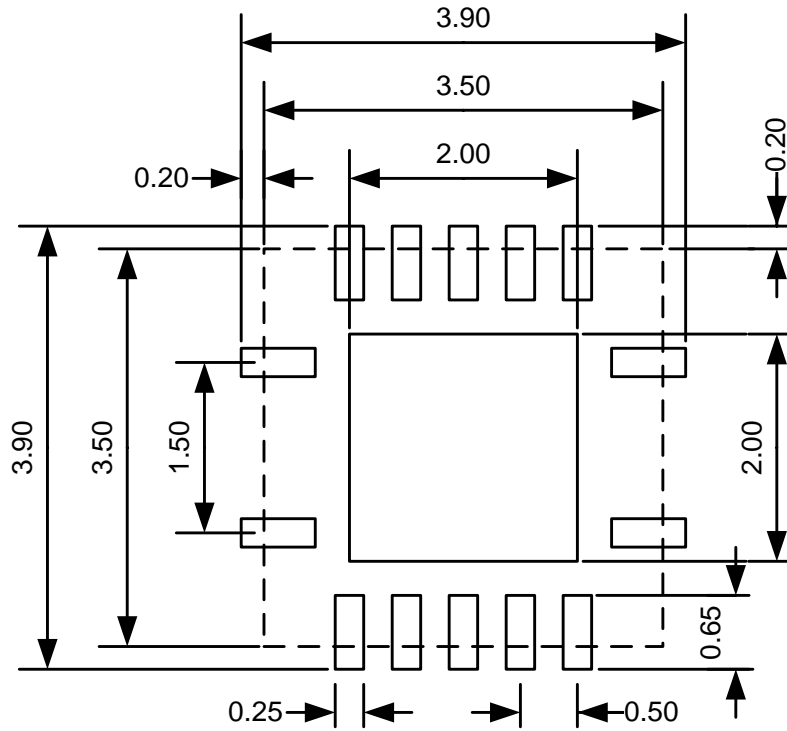


QFN14 3.5×3.5

Land Pattern (103-3535-14)



NOTES:

1. Compound dimension: 3.50×3.50.
2. Unit: mm.
3. General tolerance $\pm 0.05\text{mm}$ unless otherwise specified.
4. The layout is just for reference.