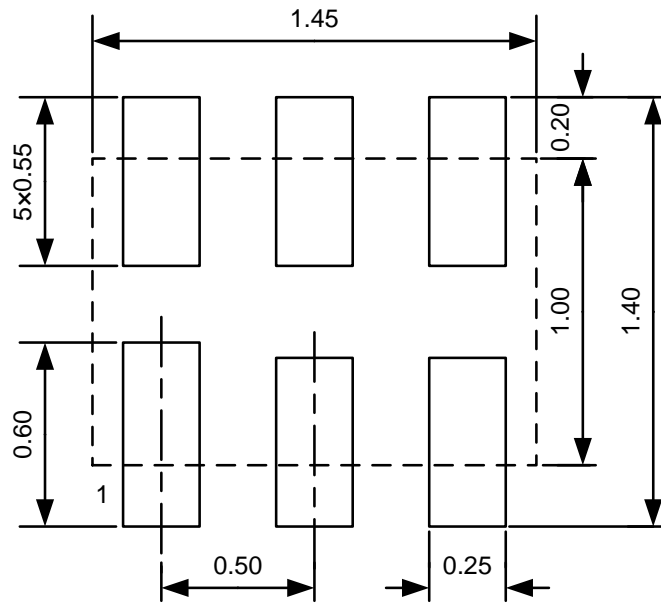


**DFN6 1.45×1.0**

**Land Pattern (102-1510-06)**



**NOTES:**

1. Compound dimension: 1.45×1.00.
2. Unit: mm.
3. General tolerance  $\pm 0.05$ mm unless otherwise specified.
4. The layout is just for reference.