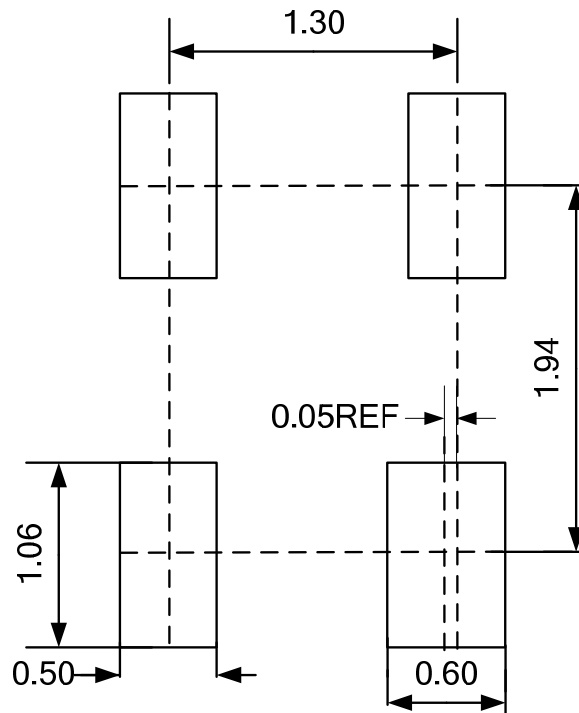


SOT343

Land Pattern (105-2123-04)



NOTES:

1. Compound dimension: 2.10×1.25.
2. Unit: mm.
3. General tolerance ± 0.05 mm unless otherwise specified.
4. The layout is just for reference.