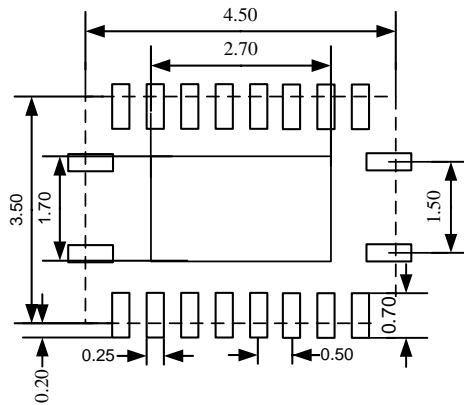


QFN20 4.5 × 3.5

Land Pattern (103-4535-20)



NOTES:

1. Compound dimension: 4.50×3.50;
2. Unit: mm;
3. General tolerance ± 0.05 mm unless otherwise specified;
4. The layout is just for reference.