

Wide Supply RS-485 Transceiver with 1.65V-5.5V I/O Interface

UM13430DA

General Description

The UM13430DA is a 3.0V to 5.5V RS-485 transceiver designed to meet the increasing system requirements found in today's communication, infrastructure and industrial equipment environments. This is a wide supply (3.0V to 5.5V) device that operates at maximum data rate of 10 Mbps and features a 1.65V to 5.5V I/O logic supply, simplifying multi-voltage system interfacing requirements.

The receiver includes full fail-safe circuitry, guaranteeing a logic-high receiver output when the receiver inputs are open, shorted or floating. The UM13430DA receiver input impedance is at least 96kΩ (1/8 unit load), allowing more than 256 devices on the bus.

The driver is protected by short circuit detection as well as thermal shutdown and maintains high impedance in shutdown or when powered off. The UM13430DA does not have slew limiting and is intended for high-speed applications requiring data rates up to 10Mbps.

The chip can enter a 1μA low current shutdown mode for extreme power savings.

The UM13430DA is a half-duplex device that operates at max data rates of 10Mbps. It is available in a 10-pin DFN package.

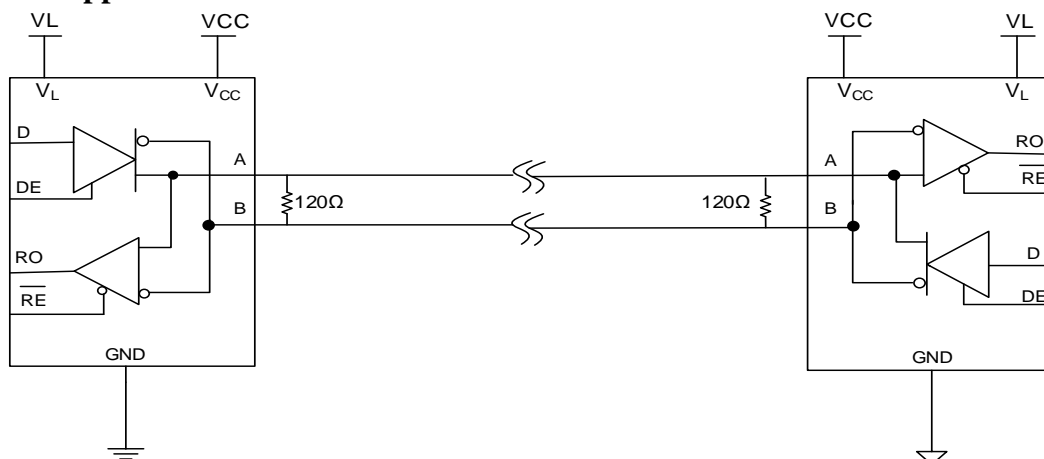
Applications

- Telecom Infrastructure
- High Speed data links
- Low Voltage μC Communications
- Industrial control equipment
- Building security and automation

Features

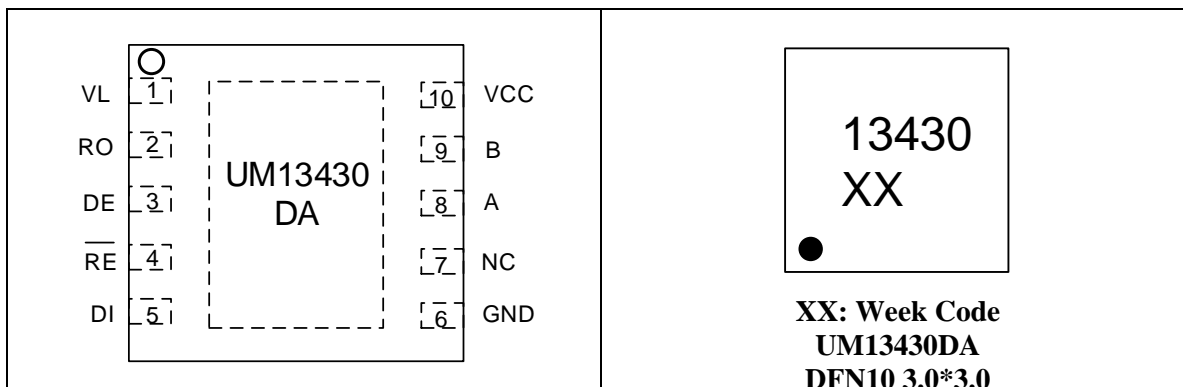
- Wide 3.0V to 5.5V supply operation
- 1.65V to 5.5V I/O logic interface V_L pin
- Max data rate of 10Mbps
- 1/8 unit load, up to 256 receivers
- Robust ESD protection for RS-485 bus pins
- Driver short circuit limit and thermal shutdown for overload protection
- -40 °C to 85 °C operating temperature range
- Lead-free (RoHS 6) DFN

Typical Application Circuit



Pin Configurations

Top View



Pin Description

Pin Number	Symbol	Description
1	V _L	I/O power supply, sets the logic levels for RO, DE, \overline{RE} and DI
2	RO	Receiver Output
3	DE	Driver enable, driver active when DE = 1, disabled when DE = 0
4	\overline{RE}	Receiver enable, receiver is disabled when \overline{RE} = 1, enabled when \overline{RE} = 0
5	DI	Driver input
6	GND	Ground
7	NC	No connection, can be connected to ground
8	A	RS-485 half-duplex non-inverting receiver input and non-inverting driver output
9	B	RS-485 half-duplex inverting receiver input and inverting driver output
10	V _{CC}	Power supply

Ordering Information

Part Number	Packaging Type	Marking Code	Shipping Qty
UM13430DA	DFN10 3.0×3.0	13430	3000pcs/13Inch Tape & Reel

Absolute Maximum Ratings (Note 1)

Symbol	Parameter	Value	Unit
V _{CC}	V _{CC} Supply Voltage	-0.3 to +6.0	V
V _L	Logic Interface Voltage	-0.3 to +6.0	V
V _{DE} , V _{DI} , V _{RE}	Logic Input Voltage	-0.3 to +6.0	V
V _{RO}	Receiver Output Voltage	-0.3 to V _L +0.3	V
V _A /V _B	Driver Output Voltage/Receiver Input Voltage	-7.5 to +12.5	V
T _{OP}	Operating Temperature Range	-40 to +85	°C
T _J	Operating Junction Temperature	-40 to +125	°C
T _{STG}	Storage Temperature Range	-65 to +150	°C
T _L	Maximum Lead Temperature (Soldering, 10s)	+260	°C

Note 1: Maximum ratings are those values beyond which device damage can occur. Maximum ratings applied to the device are individual stress limit values (not normal operating conditions) and are not valid simultaneously. If these limits are exceeded, device functional operation is not implied, damage may occur and reliability may be affected.

Package Thermal Impedance

Symbol	Parameter	Value	Unit
θ _{JA}	Junction-to-ambient thermal resistance	41	°C/W
θ _{JC}	Junction-to-case thermal resistance	9	°C/W

ESD Rating

Symbol	Parameter	Value	Unit
ESD Protection	HBM - Human Body Model (RS-485 bus pins A, B)	±15	kV
	HBM - Human Body Model (all other pins)	±4	

Electrical Characteristics

($V_{CC} = +3V$ to $+5.5V$, $V_L = +1.65V$ to V_{CC} , $T_A = -40\text{ }^\circ\text{C}$ to $+85\text{ }^\circ\text{C}$, unless otherwise noted.)

Symbol	Parameter	Test Conditions	Min	Typ	Max	Unit
Power Supply						
V_{CC}	Supply-Voltage Range		3.0		5.5	V
V_L	Supply-Voltage Range		1.65		V_{CC}	
I_{CC}	Supply Current				2	mA
I_{SHDN}	Supply Current in Shutdown Mode			1	10	μA
Driver DC Characteristics						
V_{OD}	Differential Driver Output	Figure1 $R_L=54\ \Omega$, $V_{CC}=3.3V$	1.5		V_{CC}	V
		$R_L=54\ \Omega$, $V_{CC}=4.5V$	2		V_{CC}	V
ΔV_{OD} (Note1)	Change in Magnitude of Differential Output Voltage	Figure1, $R_L=54\ \Omega$	-0.2		0.2	V
V_{OC}	Driver Common Mode Output Voltage (Steady State)	Figure1, $R_L=54\ \Omega$		$V_{CC}/2$	3	V
ΔV_{OC} (Note1)	Change in Driver Common Mode Output Voltage	Figure1, $R_L=54\ \Omega$	-0.2		0.2	V
$I_{A, B}$	Input Current (A or B)	$V_{OUT}=12V$, $DE=0V$, $V_{CC}=0V$ or $5.5V$			125	μA
		$V_{OUT}=-7V$, $DE=0V$, $V_{CC}=0V$ or $5.5V$	-100			μA
I_{OSD} (Note2)	Driver short circuit output current	$-7V \leq V_{OUT} \leq 12V$	-250		250	mA
Receiver DC Characteristics						
V_{TH}	Receiver Differential Threshold Voltage (V_A-V_B)	$-7V \leq V_{CM} \leq 12V$	-200		-50	mV
ΔV_{TH}	Receiver Input Hysteresis	$V_{CM}=0V$		25		mV
R_{IN}	Receiver Input Resistance	$-7V \leq V_{CM} \leq 12V$	96			k Ω
I_{OSR}	Receiver Output Short Circuit Current	$0V \leq V_{RO} \leq V_L$	-100		100	mA
I_{OZR}	High-Z receiver output current	$0V \leq V_{OUT} \leq V_L$	-1		1	μA
Logic Input and Output						
V_{IH}	Logic Input thresholds (DI, DE, RE) $1.65V \leq V_L \leq 5.5V$ & $V_L \leq V_{CC}$	Logic Input High	$2/3 * V_L$			V
V_{IL}		Logic Input Low			$1/3 * V_L$	V
V_{HYS}	Input Hysteresis (DI, DE, RE)			300		mV
I_{IN1}	Logic Input Current	DE, DI, RE	-1		1	μA
V_{OH}	Receiver Output High Voltage (RO)	$I_{OUT}=-1mA$	$V_L-0.6$			V
V_{OL}	Receiver Output Low Voltage (RO)	$I_{OUT}=1mA$			0.4	V

Note1 : ΔV_{OD} and ΔV_{OC} are the changes in V_{OD} and V_{OC} , respectively, when the DI input changes state.

Note2 : The short-circuit output current is the peak current just prior to current limiting; the short-circuit foldback output current applies during current limiting to allow a recovery from bus contention.

Switching Characteristics

($V_{CC} = +3V$ to $+5.5V$, $V_L = +1.65V$ to $+V_{CC}$, $T_A = -40\text{ }^\circ\text{C}$ to $+85\text{ }^\circ\text{C}$, unless otherwise noted.)

Symbol	Parameter	Test Conditions	Min	Typ	Max	Unit
Driver AC Characteristics						
t_{DPLH}	Driver prop delay (low to high)	See Figure3 $R_L=54\ \Omega$, $C_L=50\text{pF}$			60	ns
t_{DPHL}	Driver prop delay (high to low)	See Figure3 $R_L=54\ \Omega$, $C_L=50\text{pF}$			60	ns
t_{DSKEW}	Differential Driver Output Skew $ t_{DPLH} - t_{DPHL} $	See Figure3 $R_L=54\ \Omega$, $C_L=50\text{pF}$			10	ns
t_{DR} , t_{DF}	Differential Driver Output Rise Time or Fall Time	See Figure3 $R_L=54\ \Omega$, $C_L=50\text{pF}$			15	ns
f_{MAX}	Maximum Data Rate	Duty Cycle 40% to 60%		10		Mbps
t_{DZH}	Driver Enable to Output High	See Figure4 $R_L=500\ \Omega$, $C_L=50\text{pF}$			100	ns
t_{DZL}	Driver Enable to Output Low	See Figure4 $R_L=500\ \Omega$, $C_L=50\text{pF}$			100	ns
t_{DZH}	Driver Disable from Output High	See Figure4 $R_L=500\ \Omega$, $C_L=50\text{pF}$			100	ns
t_{DLZ}	Driver Disable from Output Low	See Figure4 $R_L=500\ \Omega$, $C_L=50\text{pF}$			100	ns
$t_{DZH(SHDN)}$	Driver Enable from Shutdown to output high	See Figure4 $R_L=500\ \Omega$, $C_L=50\text{pF}$			5000	ns
$t_{DZL(SHDN)}$	Driver Enable from Shutdown to output low	See Figure4 $R_L=500\ \Omega$, $C_L=50\text{pF}$			5000	ns
t_{SHDN}	Time to Shutdown				1000	ns
Receiver AC Characteristics						
Symbol	Parameter	Test Conditions	Min	Typ	Max	Unit
t_{RPLH}	Receiver prop delay (low to high)	See Figure5 $C_L=15\text{pF}$	30	60	90	ns
t_{RPHL}	Receiver prop delay (high to low)	See Figure5 $C_L=15\text{pF}$	30	60	90	ns
t_{RSKEW}	Differential Receiver Output Skew $ t_{RPLH}-t_{RPHL} $	$C_L=15\text{pF}$			10	ns
f_{MAX}	Maximum Data Rate	Duty Cycle 40% to 60%		10		Mbps
t_{RZH}	Receiver enable to output high	See Figure6 $R_L=1\text{k}\Omega$, $C_L=15\text{pF}$			100	ns
t_{RZL}	Receiver enable to output low	See Figure6 $R_L=1\text{k}\Omega$, $C_L=15\text{pF}$			100	ns
t_{RHZ}	Receiver Disable from output high	See Figure6 $R_L=1\text{k}\Omega$, $C_L=15\text{pF}$			100	ns
t_{RLZ}	Receiver Disable from output low	See Figure6 $R_L=1\text{k}\Omega$, $C_L=15\text{pF}$			100	ns
$t_{RZH(SHDN)}$	Receiver enable from shutdown to output high	See Figure6 $R_L=1\text{k}\Omega$, $C_L=15\text{pF}$			5000	ns
$t_{RZL(SHDN)}$	Receiver enable from shutdown to output low	See Figure6 $R_L=1\text{k}\Omega$, $C_L=15\text{pF}$			5000	ns
t_{SHDN}	Time to shutdown				1000	ns

Parameter Measurement Information

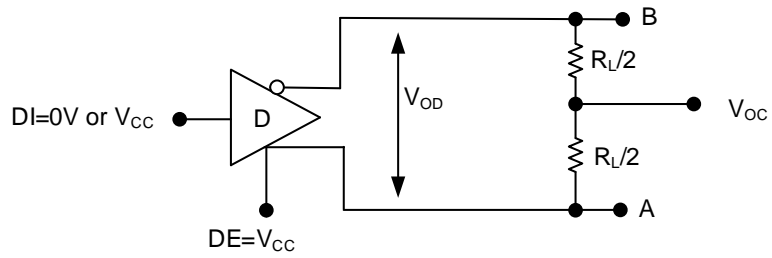


Figure 1. Differential Driver Output Voltage

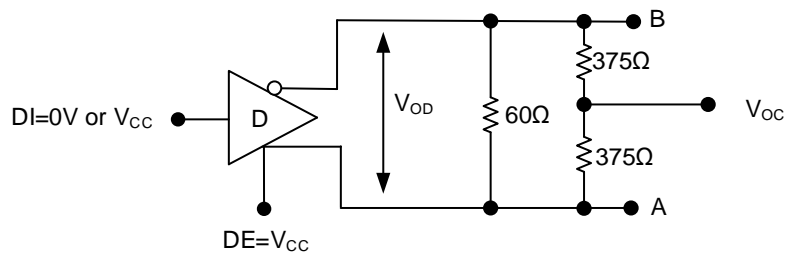


Figure 2. Differential Driver Output Voltage Over Common Mode

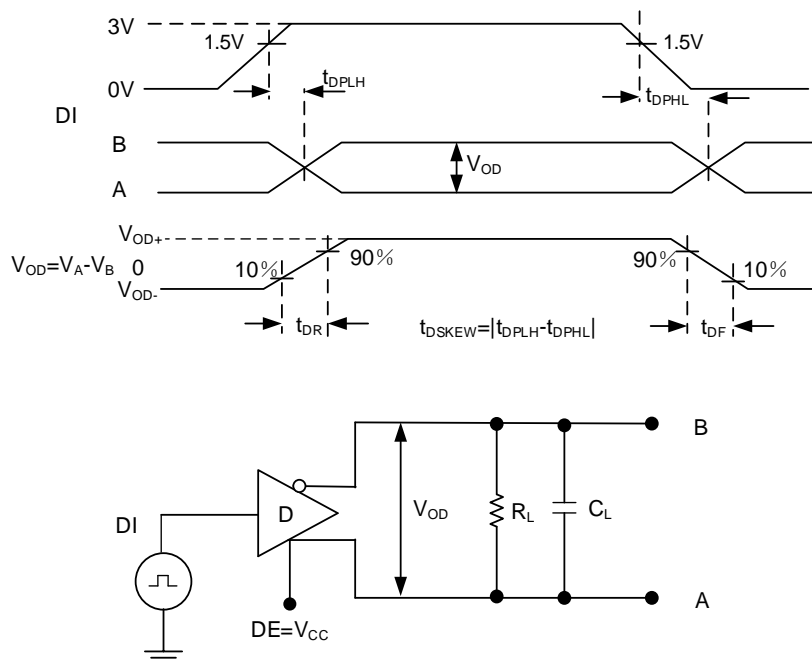


Figure 3. Driver Propagation Delay Test Circuit and Timing Diagram

Parameter Measurement Information (continued)

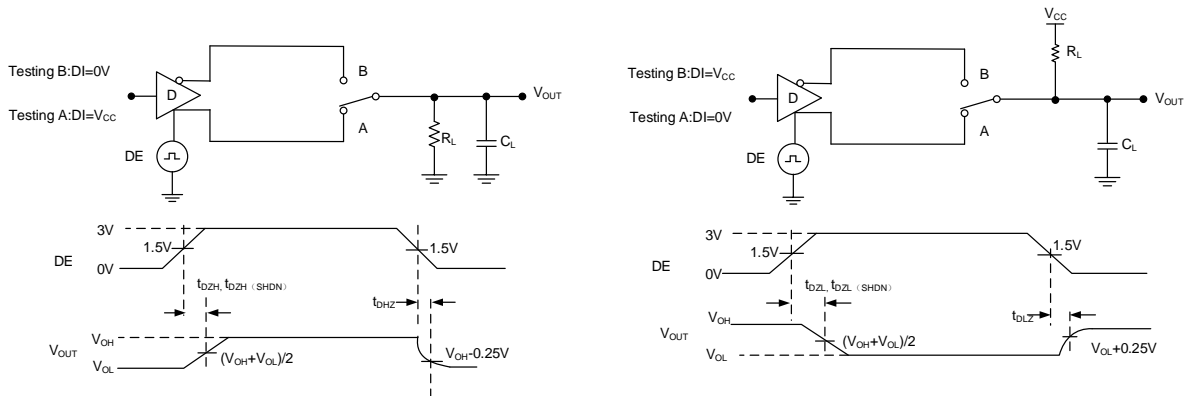


Figure 4. Driver Enable and Disable Timing Test Circuits and Timing Diagrams

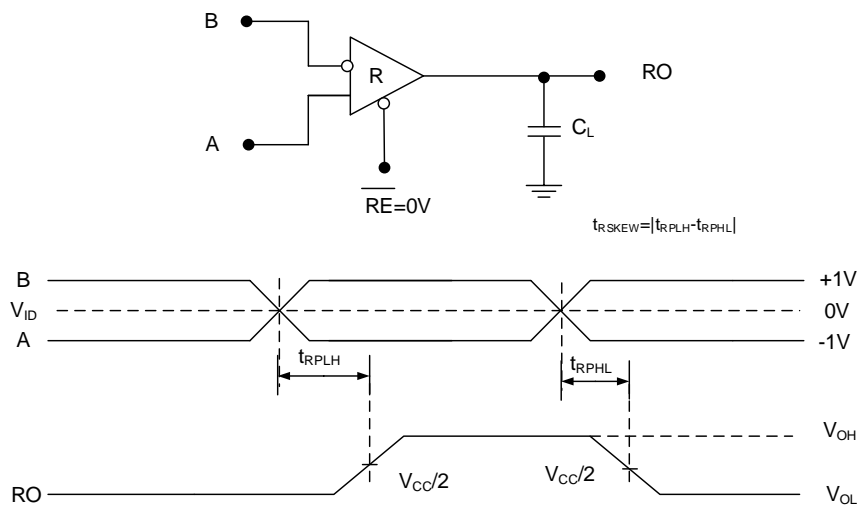


Figure 5. Receiver Propagation Delay Test Circuit and Timing Diagram

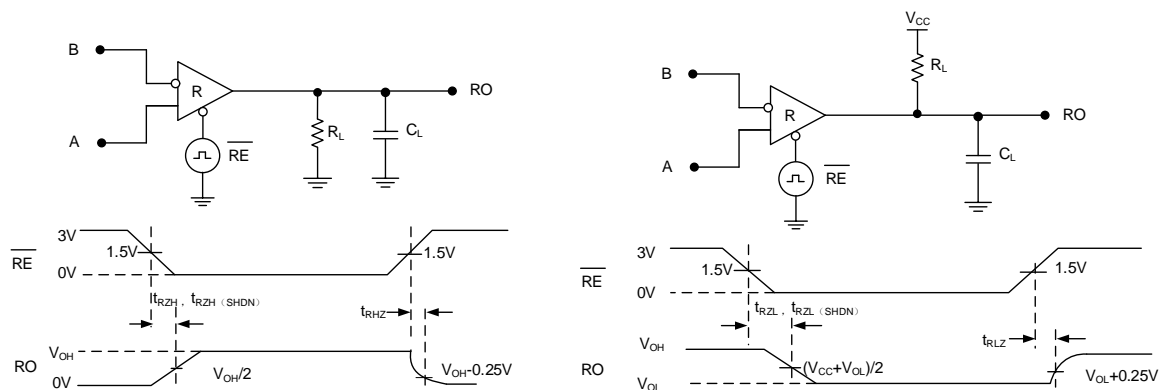


Figure 6. Receiver Enable and Disable Test Circuits and Timing Diagrams

Device Function Table

Transmitting				
Inputs			Outputs	
\overline{RE}	DE	DI	A	B
X	1	1	1	0
X	1	0	0	1
0	0	X	High-Z	
1	0	X	Shutdown	

Receiving			
Inputs			Output
\overline{RE}	DE	$V_A - V_B$	RO
0	X	$\geq -50\text{mV}$	1
0	X	$-200\text{mV} < V_A - V_B < -50\text{mV}$	Undefined
0	X	$\leq -200\text{mV}$	0
0	X	Open/Shorted/Idle	1
1	1	X	High -Z
1	0	X	Shutdown

Typical Operating Characteristics

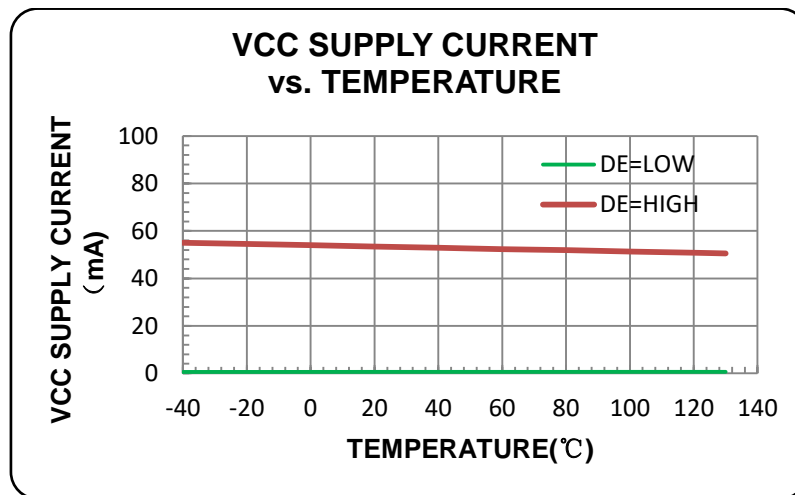


Figure 7. V_{CC} Supply Current vs. Temperature

Typical Operating Characteristics (continued)

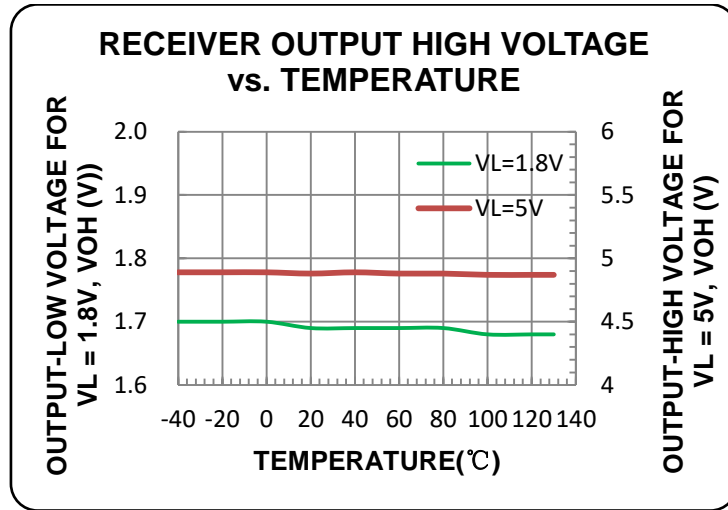


Figure 8. Receiver Output High Voltage vs. Temperature

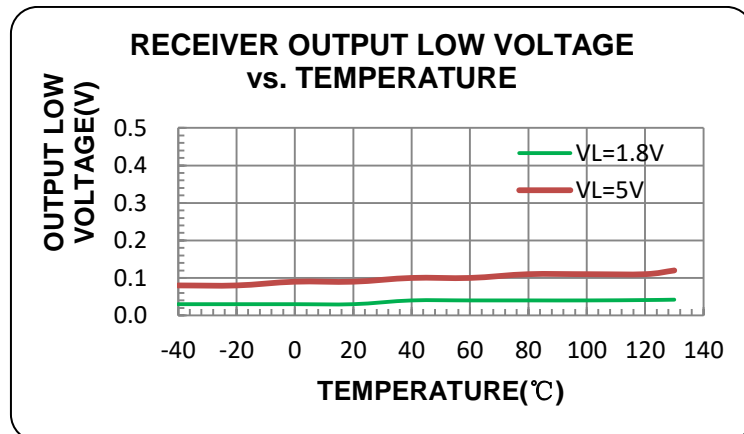


Figure 9. Receiver Output Low Voltage vs. Temperature

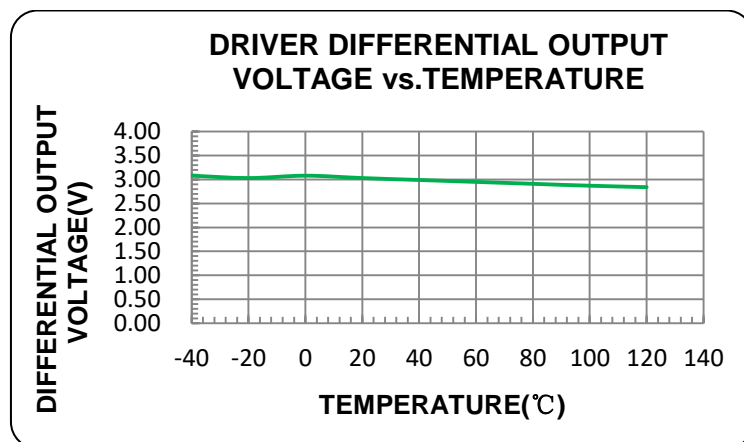


Figure 10. Driver Differential Output Voltage vs. Temperature

Block Diagram

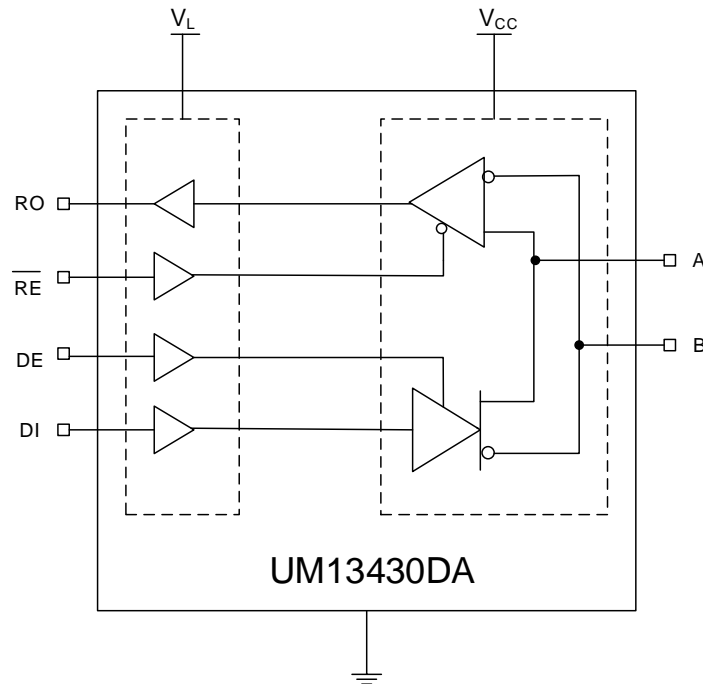


Figure 11. Block Diagram:

Detail Description

The UM13430DA high-speed transceivers for RS-485 communication contain one driver and one receiver. These devices feature fail-safe circuitry, which guarantees a logic-high receiver output when the receiver inputs are open or shorted, or when they are connected to a terminated transmission line with all drivers disabled. The UM13430DA driver slew rates are not limited, making transmit speeds up to 10Mbps possible.

The UM13430DA RS-485 transceivers operate with a V_{CC} voltage supply from 3V to 5.5V. Drivers are output short-circuit current limited. Thermal shutdown circuitry protects drivers against excessive power dissipation. When activated, the thermal shutdown circuitry places the driver outputs into a high impedance state.

Fail-Safe

The UM13430DA guarantees a logic-high receiver output when the receiver inputs are shorted or open, or when they are connected to a terminated transmission line with all drivers disabled. This is done by setting the receiver threshold between -50mV and -200mV. If the differential receiver input voltage (A-B) is greater than or equal to -50mV, RO is logic high. If A-B is less than or equal to -200mV, RO is logic low. In the case of a terminated bus with all transmitters disabled, the receiver's differential input voltage is pulled to 0V by the termination. With the receiver thresholds of the UM13430DA, this results in a logic high with a 50mV minimum noise margin. Unlike previous fail-safe devices, the -50mV to -200mV threshold complies with the ± 200 mV EIA/TIA-485 standard.

Applications Information

256 Transceivers on the Bus

The standard RS-485 receiver input impedance is $12\text{k}\Omega$ (one unit load), and the standard driver can drive up to 32 unit loads. The Union family of transceivers have a $1/8$ unit load receiver input impedance ($96\text{k}\Omega$), allowing up to 256 transceivers to be connected in parallel on one communication line. Any combination of these devices and/or other RS-485 transceivers with a total of 32 unit loads or less can be connected to the line.

Driver Output Protection

Two mechanisms prevent excessive output current and power dissipation caused by faults or by bus contention. The first, a foldback current limit on the output stage, provides immediate protection against short circuits over the whole common-mode voltage range. The second, a thermal shutdown circuit, forces the driver outputs into a high-impedance state if the die temperature becomes excessive.

Typical Applications

The UM13430DA transceivers are designed for bidirectional data communications on multipoint bus transmission lines. To minimize reflections, the line should be terminated at both ends in its characteristic impedance, and stub lengths off the main line should be kept as short as possible.

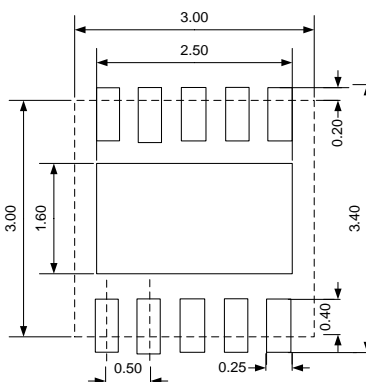
Package Information

UM13430DA: DFN10 3.0 × 3.0

Outline Drawing

DIMENSIONS						
Symbol	MILLIMETERS			INCHES		
	Min	Typ	Max	Min	Typ	Max
A	0.70	0.75	0.80	0.028	0.030	0.031
A1	0.00	0.02	0.05	0.000	0.001	0.002
A3	0.20REF			0.008REF		
b	0.20	0.25	0.30	0.008	0.010	0.012
D	2.90	3.00	3.10	0.114	0.118	0.122
E	2.90	3.00	3.10	0.114	0.118	0.122
D2	1.50	1.60	1.70	0.059	0.063	0.067
E2	2.40	2.50	2.60	0.094	0.098	0.102
e	0.40	0.50	0.60	0.016	0.020	0.024
K	0.20	-	-	0.008	-	-
L	0.30	0.40	0.50	0.012	0.016	0.020

Land Pattern

	<p>NOTES:</p> <ol style="list-style-type: none"> Compound dimension: 3.00×3.00; Unit: mm; General tolerance ± 0.05mm unless otherwise specified; The layout is just for reference.
---	---

Tape and Reel Orientation



GREEN COMPLIANCE

Union Semiconductor is committed to environmental excellence in all aspects of its operations including meeting or exceeding regulatory requirements with respect to the use of hazardous substances. Numerous successful programs have been implemented to reduce the use of hazardous substances and/or emissions.

All Union components are compliant with the RoHS directive, which helps to support customers in their compliance with environmental directives. For more green compliance information, please visit:

http://www.union-ic.com/index.aspx?cat_code=RoHSDeclaration

IMPORTANT NOTICE

The information in this document has been carefully reviewed and is believed to be accurate. Nonetheless, this document is subject to change without notice. Union assumes no responsibility for any inaccuracies that may be contained in this document, and makes no commitment to update or to keep current the contained information, or to notify a person or organization of any update. Union reserves the right to make changes, at any time, in order to improve reliability, function or design and to attempt to supply the best product possible.